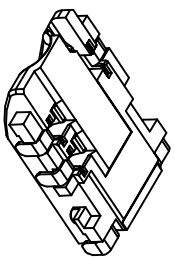
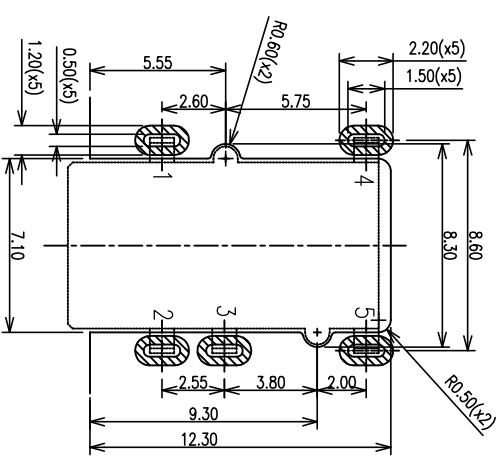
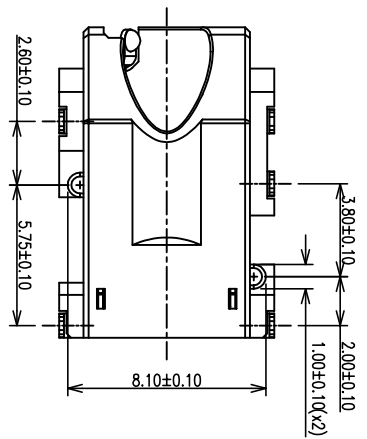
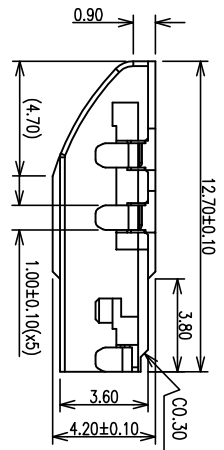
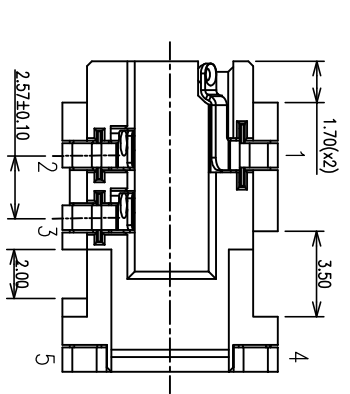
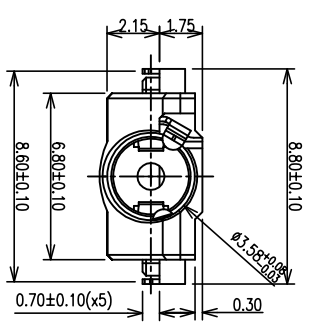


REV	ECON #	DESCRIPTION	DRAWING	APPROVED	DATE
A		NEW RELEASE	DEV1		2012/05/25



- NOTES:
- MATERIAL:
 - CONTACT: COPPER ALLOY T=0.20mm
 - HOUSING: HIGH TEMPERATURE BLACK
 - FINISH:
 - CONTACT: Au 1u" PLATING ON CONTACT AREA
 - GOLD FLASH PLATING ON SOLDER TAILS
 - 50u" MIN. NICKEL UNDER PLATING ALL OVER



RECOMMENDED FOR LAYOUT
TOLERANCES: ±0.05(TOP VIEW)

PRODUCT NO.

PJ26-06 A B 03-05

- ①
- ②
- ③
- ④

① PRODUCT SERIES:

PJ26: PHONE JACK CONNECTOR

② PIN NO.:

05: 5PIN

③ MATERIAL:

A: LCP
④ SERIES NO.:
05: 沉板2.15mm

YTCOON

Dongguan YTCOON
Electronics Technology Co., Ltd

**CUSTOMER
DRAWING**

GENERAL TOLERANCE

X ±0.20
.XX ±0.15
.XXX ±0.10

ANGEL TOLERANCE

X ±5°
.XX ±2°
.XXX ±1°

DRAWING

DEV1

TITLE: 3.6H斜口反向沉板2.15耳机座
DIP TYPE

APPROVED

P/N:

PJ26-05AB03-05

DATE

2015.07.21

DRAWING NO. C-PJ26-05

UNIT

mm

SCALE

1:1

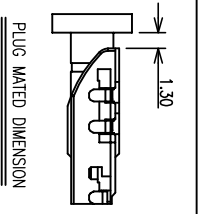
SIZE A4

SHEET

1 of 1

REV

A



PLUG MATED DIMENSION