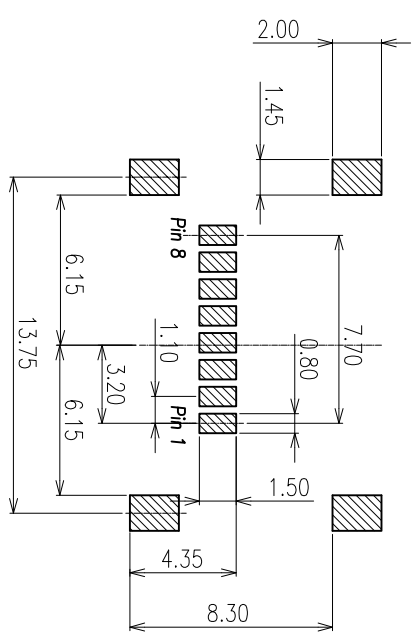
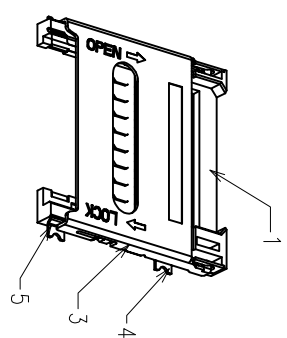
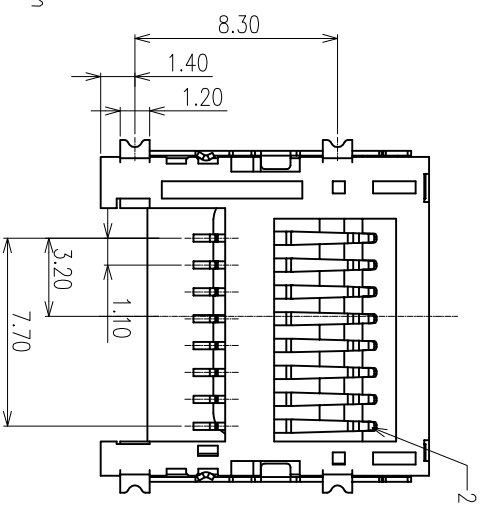
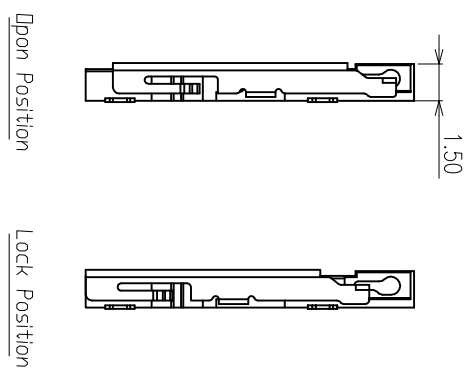
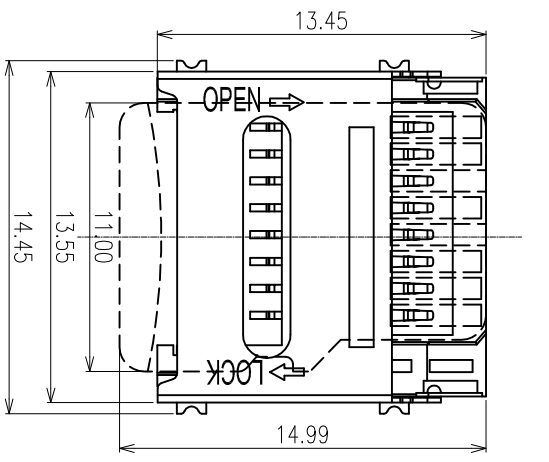


REV	ECN #	DESCRIPTION	DRAWING	APPROVED	DATE
A		NEW RELEASE	DEV1		2012.04.26



RECOMMENDED PCB LAYOUT

TABLE A:

ITEM	NAME	QTY/EACH	MATERIAL/FINISHED	REMARK
1	HOUSING	1	THERMOPLASTIC UL94V-0, BLACK	
2	CONTACT	8	COPPER ALLOY MATING AREA Au PLATED	
3	SHELL	1	STAINLESS STEEL	
4	HINGE	2	COPPER ALLOY SN PLATED	
5	PAD	2	COPPER ALLOY SN PLATED	

IN NUMBER	PIN NUMBER	DATE
P8	DATA1	
P7	DATA0	
P6	VSS	
P5	CLK	
P4	VDD	
P3	OMD	
P2	CD/DATA3	
P1	DATA2	

CUSTOMER DRAWING

YTCONN Dongguan YTCONN Electronics Technology Co., Ltd.

GENERAL TOLERANCE
 X ±0.20
 .XX ±0.15
 .XXX ±0.10

ANGEL TOLERANCE
 ±3°
 .XX ±2°
 .XXX ±1°

DRAWING: DEV1
 TITLE: T-FLASH CARD CONNECTOR
 P/N: TF01-08AB05-01
 DATE: 2012.04.26
 DRAWING NO.: C-TF01-01

UNIT: mm
 SCALE: 1:1
 SIZE: A4
 SHEET: 1 of 2
 REV: A

- NOTES:
- MATERIAL, SEE TABLE A
 - PACKAGE: TAP&REEL

- PRODUCT NO. _____
- TF01 - 08 A B 05 - 01
- ① ② ③ ④
- ① PRODUCT SERIES:
 TF01: T-FLASH CARD CONNECTOR
- ② PIN NO:
 08: 8PIN
- ③ MATERIAL:
 A: LCP
- ④ SERIES NO.:
 01: H=1.6mm