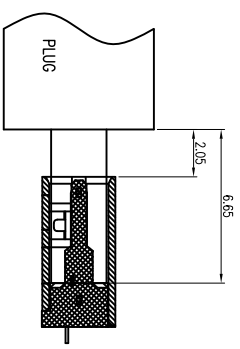
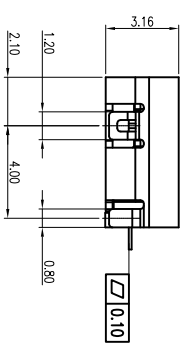
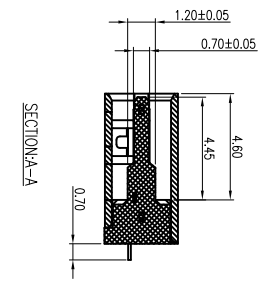
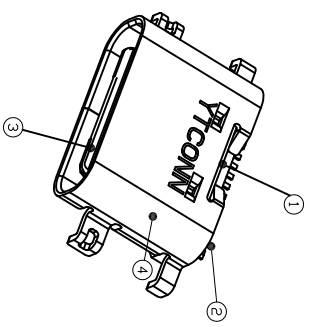
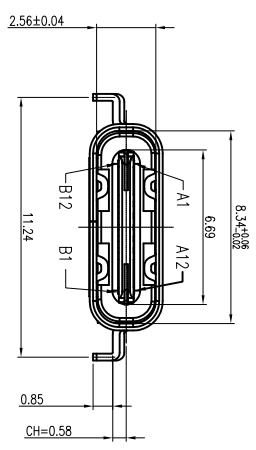
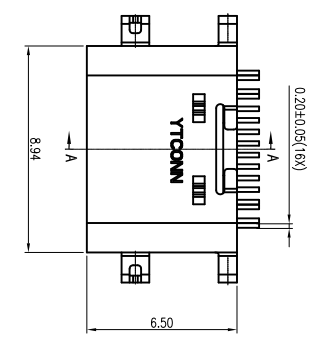
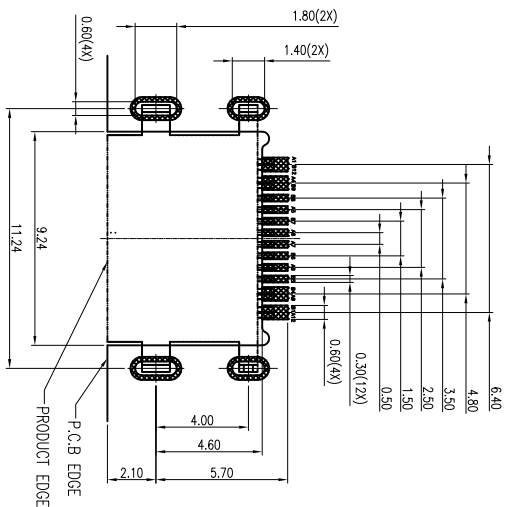
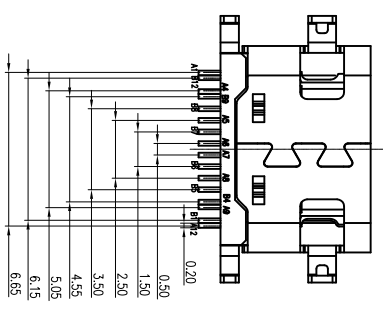


REV	ECN #	DESCRIPTION	DRAWING	APPROVED	DATE
A		NEW RELEASE	JIANG		2018/11/15



AFTER MATING



RECOMMENDED PCB LAYOUT(TOP VIEW)  
THICKNESS: 0.80MM;DEFAULT TOLERANCE:±0.05

USB TYPE-C PIN ASSIGNMENTS

A1	GND	B12	GND
A4	VBUS	B9	VBUS
A5	CC1	B8	SRU2
A6	DP1	B7	DN2
A7	DN1	B6	DP2
A8	SRU1	B5	CC2
A9	VBUS	B4	VBUS
A12	GND	B1	GND
PIN	SIGNAL NAME	PIN	SIGNAL NAME

- NOTE:
- MECHANICAL PERFORMANCE.
    - 1-1.INSERTION FORCE: 0.5~2.0kgf.
    - 1-2.REMOVAL FORCE: 0.8kgf~2.0kgf.
    - 1-3.DURABILITY: 10000 CYCLES.
  - ELECTRICAL PERFORMANCE.
    - 2-1. CURRENT RATING:5.0A VOLTAGE RATING:5.0V
    - 2-2. ILCR: VBUS & GND PINS AND OTHER PINS: 40mA/PIN MAX. SHIELD: 50mA/MAX. LCR MAX. CHANGE OF ALL PINS: 10mA.
    - 2-3.INSULATION RESISTANCE: 100MΩ MIN
    - 2-4.DIELECTRIC WITHSTAND VOLTAGE:AC 100V FOR 1 MINUTE.
  - ENVIRONMENTAL PERFORMANCE.
    3. OPERATING TEMPERATURE: -25°C~+85°C.
    - 4.IR REFLOW: THE PEAK TEMPERATURE ON THE BOARD SHALL BE MAINTAINED FOR 10 SECONDS AT 260°C.
- PRODUCT NO.
- UC01 - 16 C B 05 - 03
- ① 产品系列: UC01: USB TYPE C REC L=6.50
- ② 产品PIN数: 16: 16PIN
- ③ 材质: C: LCP
- ④ 颜色码: B: BLACK
- ⑤ 电镀规格码: 05: 半金雾锡U"
- ⑥ 产品流水码: 03: 沉板.1.0

NO.	DESCRIPTION	MATERIAL	REMARKS	QTY
4	FRONT SHELL	STAINLESS STEEL	IN 304" MIN. UNDER PLATED OVER ALL	1PCS
3	MID PLATE	COPPER ALLOY	CLEAR ONLY	1PCS
2	CONTACTS	COPPER ALLOY	Au/Ni Plated	1SET
1	HOUSING	HIGH TEMPERATURE PLASTIC	BLACK	1PCS

**CUSTOMER DRAWING**

**YTCOMM**  
Dongguan YTCOMM Electronics Technology Co., Ltd

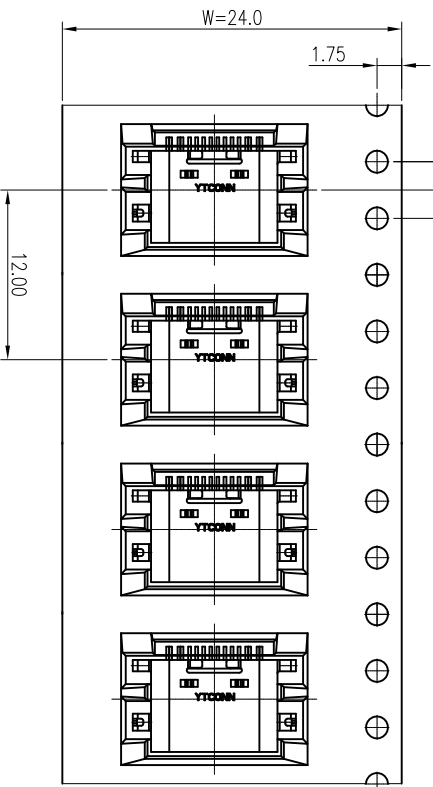
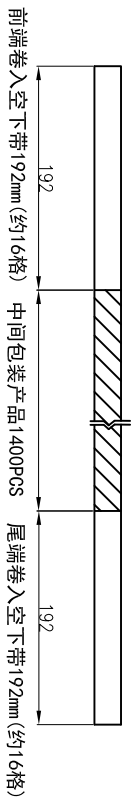
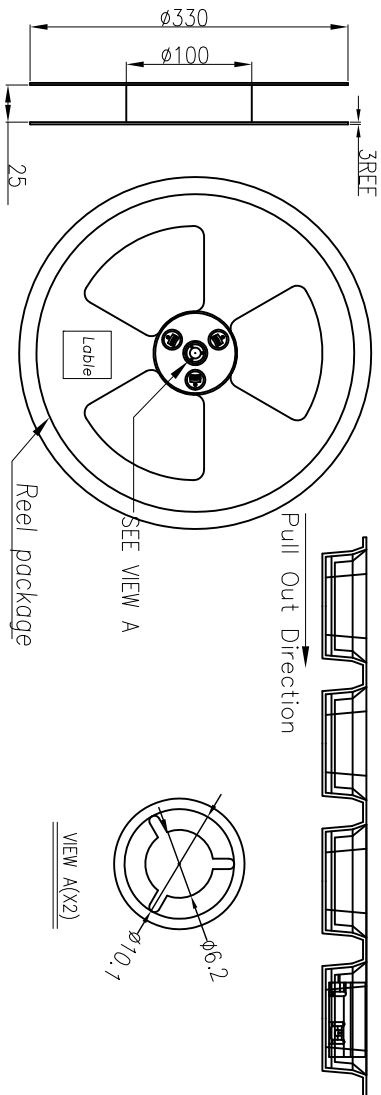
http://www.ytcomm.com

GENERAL TOLERANCE	X	±0.20	XX	±0.15	XXX	±0.10			
ANGEL TOLERANCE	X, ±3°	XX, ±2°	XXX, ±1°						
DRAWING	Jiang	TITLE:	USB TYPE C REC 16PIN (4-6,5) MID MOUNT CH=0.58						
APPROVED		P/N:	UC01-16CB05-03						
DATE	2018.11.15	DRAWING NO.	C-UC01-03						
UNIT	mm	SCALE	1:1	SIZE	A4	SHEET	1of1	REV	A

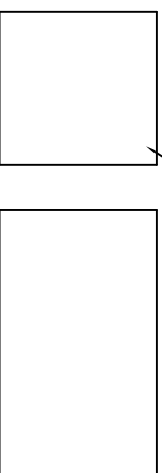
REV	ECN #	DESCRIPTION	DRAWING	APPROVED	DATE
A		NEW RELEASE	JIANG		2018.11.15

Packing Notes:

1. Reel : 1400pcs / Reel.
2. Carton : 23800pcs / 17 Reel / Carton.



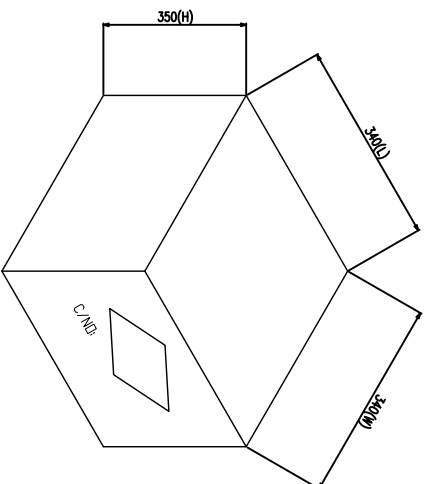
- 1) 用TAPE将纸箱封实.
- 2) 将标签贴于纸箱侧.



备注

(REMARK)

- 1). 若有未装满之零数箱, 必须以缓冲材料塞满.
- 2). 在搬运过程中要轻拿轻放.
- 3). 在运输中不可堆放过多, 不可有重压现象.
- 4). 上带在黏贴下带时必须平整, 且黏贴处不要出现气泡.



CUSTOMER  
DRAWING

**YTCOMM**

*Dongguan YTCOMM  
Electronics Technology Co., Ltd.*

GENERAL TOLERANCE

X. ±0.20  
XX ±0.15  
XXX ±0.10

DRAWING

Jiang

TITLE:

USB TYPE C REC 16PIN (I=6.5)  
MID MOUNT CH=0.58  
包装图

ANGEL TOLERANCE

X. ±3°  
XX ±2°  
XXX ±1°

APPROVED

P/N:

UC01-16CB05-03

DATE

2018.11.15

DRAWING NO.

P-UC01-03

UNIT

mm

SCALE

1:1

SHEET

1 of 1

REV

A

Pull Out Direction

A

B

C

D

E

F

G

1

2

3

4

5

6

7

8

9

10