

| REV | ECN # | DESCRIPTION | DRAWING | APPROVED | DATE |
|-----|-------|-------------|---------|----------|------------|
| A | | NEW RELEASE | DEV1 | | 2012/05/25 |

- NOTES :
- 1.0) RATING :
 - 1.1. VOLTAGE : 12 VDC (R.M.S.)
 - 1.2. CURRENT : 1 AMPERE MAXIMUM PER CONTACT AT 30°C T-RISE
 - 1.3. TEMPERATURE : -25°C TO +85°C
 - 2.0) ELECTRICAL CHARACTERISTIC
 - 2.1. CONTACT RESISTANCE : INITIAL 50mΩ MAX. AFTER 100m
 - 2.2. INSULATION RESISTANCE : 100 MΩ MIN.
 - 2.3. DIELECTRIC WITHSTANDING VOLTAGE : 500 VAC AT SEA LEVEL
 - 3.0) MECHANICAL :
 - 3.1. DURABILITY ,MINIMUM: MATED 5000 CYCLES WITHOUT DEGRADING ELECTRICAL
 - 3.2. INITIAL:MATING FORCE: 300g~2000g UNMATING FORCE: 300g~2000g
 - 3.3. AFTER LIFE TESTING:MATING FORCE: 300g~2000g,UNMATING FORCE: 300g~2000g

PRODUCT NO. _____

PJ27-06 A B 03-07

① ② ③ ④

① PRODUCT SERIES:

PJ27: PHONE JACK CONNECTOR

② PIN NO.:

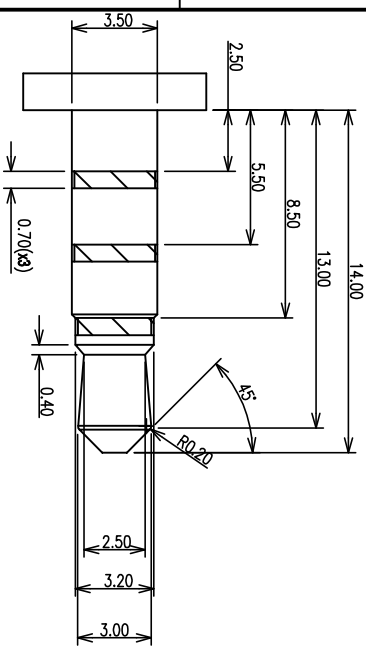
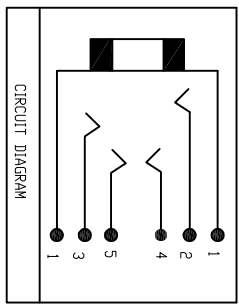
06: 6PIN

③ MATERIAL:

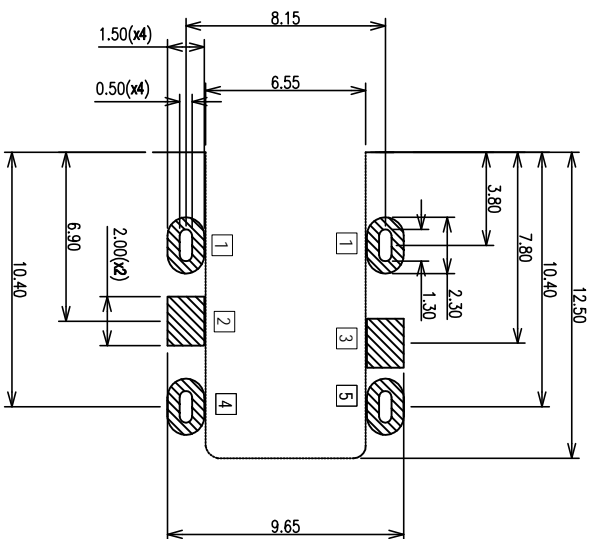
A: LCP

④ SERIES NO.:

07: 板上型, 前插后插



THE RECOMMENDED MATING AUDIO PLUG
3.50mm 4 POLE PLUG



RECOMMEND PAD LAYOUT

| | | | |
|-------------------------|--|-----------------------|------------|
| CUSTOMER DRAWING | | YTCONN | |
| GENERAL TOLERANCE | | TITLE: | |
| X ±0.20 | | AUDIO JACK 3.5mm 斜头 | |
| .XX ±0.15 | | 板上型 (前插后插) | |
| .XXX ±0.10 | | DRAWING NO. C-PJ27-07 | |
| ANGEL TOLERANCE | | DATE | 2014.09.05 |
| X ±5° | | UNIT | mm |
| .XX ±2° | | SCALE | 1:1 |
| .XXX ±1° | | SIZE | A4 |
| | | SHEET | 1of1 |
| | | REV | A |