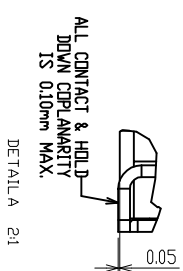
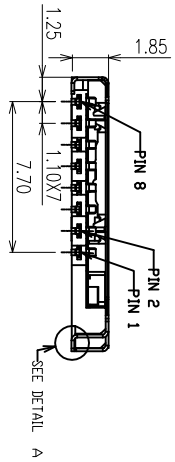
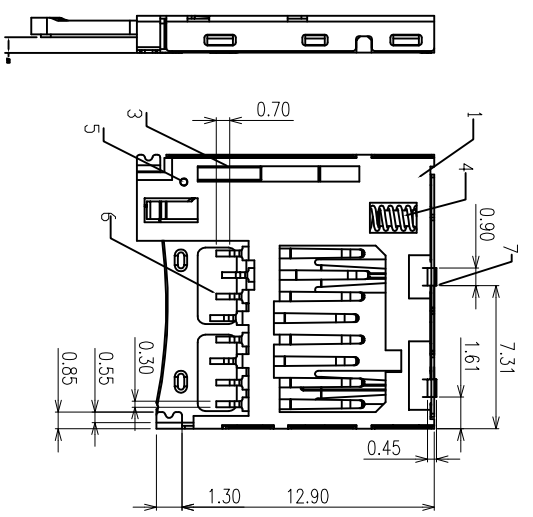
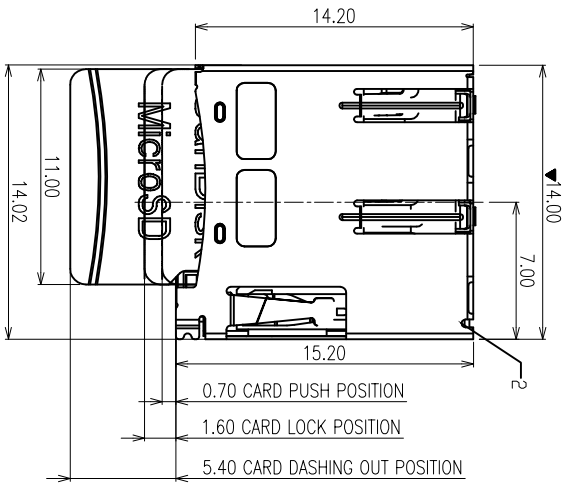


REV	ECH #	DESCRIPTION	DRAWING	APPROVED	DATE
A		NEW RELEASE	DEY1		2012.04.26



ALL CONTACT & HOLD DOWN COPPLANARITY IS 0.10mm MAX.

DETAIL A 24

- NOTES 1:
- 1.0 RATING.
 - 1.1 VOLTAGE:100 VAC (rms)
 - 1.2 CURRENT: 0.05 AMPERES MAX PER CONTACT
 - 1.3 OPERATION TEMPERATURE RANGE: -25°C~+90°C
 - 2.0 ELECTRIC CHARACTERISTIC:
 - 2.1 CONTACT RESISTANCE:100mΩ MAX.
 - 2.2 INSULATION RESISTANCE:1000MΩ MIN.
 - 2.3 DIELECTRIC WITHSTANDING VOLTAGE:500V AC FOR 1 MINUTE
 - 3.0 OPERATION LIFE: 5000 CYCLES
 - 4.0 CARD DETECTION SWITCH
- WHEN CARD IS WITHDRAWAL WHEN CARD IS INSERTED
- | | |
|-------|------|
| SHORT | OPEN |
|-------|------|

5.0 MATERIAL/FINISHSEE TABLE A
6.0 CONTACT PIN ASSIGNMENTSEE TABLE B

NOTES2:

1. 产品平面度要求: 0.10mm Max.
2. 包装方式: TAPE&REEL

PRODUCT NO.

TF02 - 08 C B 09 - 00
① ② ③ ④

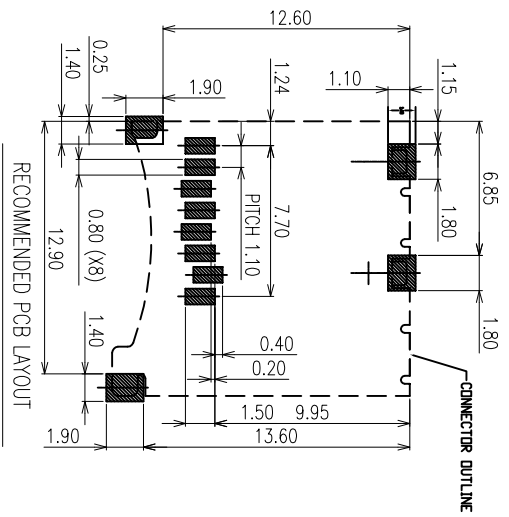
TABLE B

PIN NO.	PIN NAME
PIN 1	DATE
PIN 2	CD/DAT3
PIN 3	CMD
PIN 4	VDD
PIN 5	CLK
PIN 6	VSS
PIN 7	DAT0
PIN 8	DAT1

- ① 产品系列: TF02-T-FLASH 连接器
- ② 产品PIN数: 08: 8PIN
- ③ 塑胶材料: C: LCP BLACK
- ④ 流水码: 00: T-FLASH PUSH-PUSH TYPE(常闭).

TABLE A

ITEM	NAME	Q'TY/EACH	MATERIAL/FINISH	REMARK
1	胶芯	1	LCP BLACK	
2	外壳	1	SUS	
3	滑块	1	LCP BLACK	
4	弹簧	1	不锈钢线	
5	导杆	1	不锈钢线	
6	端子	8	Cu	
7	接地端子	1	Cu	



CUSTOMER DRAWING

YTCOON
Dongguan YTCOON Electronics Technology Co., Ltd

DRAWING DEY1 TITLE: T-FLASH CARD CONNECTOR

APPROVED P/N: TF02-08CB09-00

DATE: 2012.04.26 DRAWING NO: C-TF02-00

UNIT: mm SCALE: 1:1 SIZE: A4 SHEET: 1 of 2 REV: A