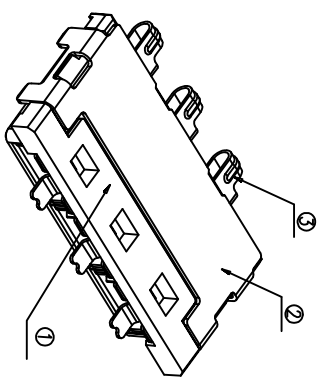
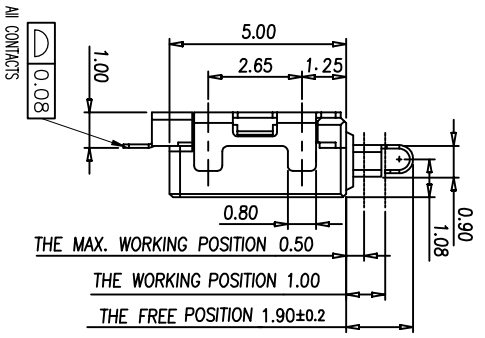
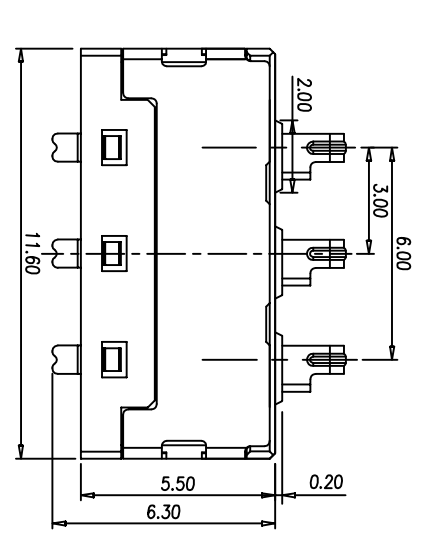
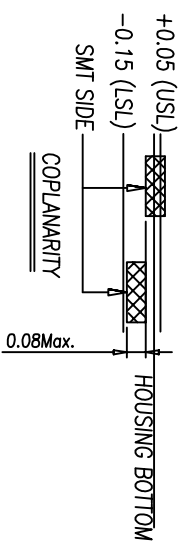
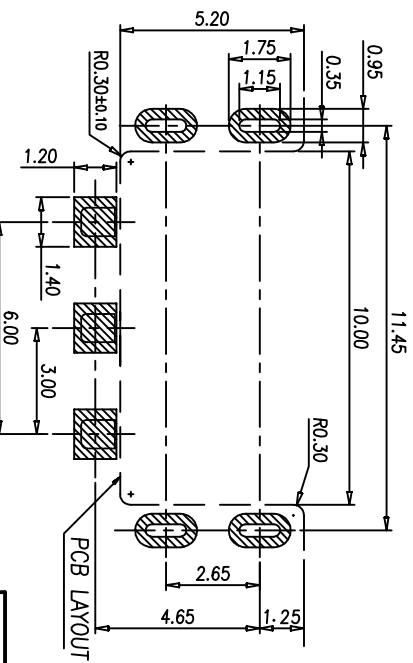
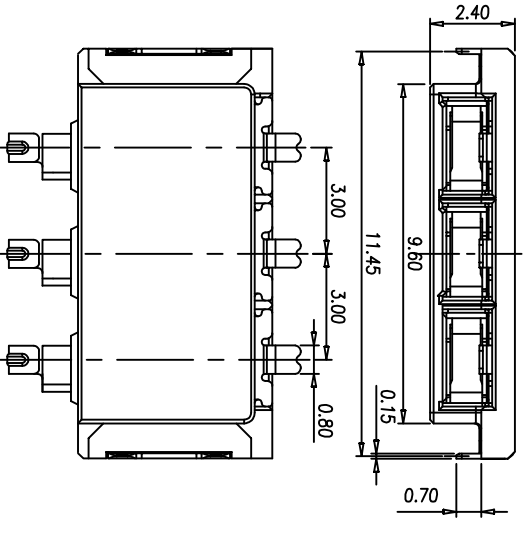


REV	ECON #	DESCRIPTION	DRAWING	APPROVED	DATE
A		NEW RELEASE	DEY1		2012/11/24



- NOTES:
- MATERIAL:
 - 1-1 HOUSING: THERMOPLASTIC, UL 94V-0, COLOR: BLACK
 - 1-2 CONTACT: COPPER ALLOY
 - 1-3 SHELL: STAINLESS STEEL.
 - FINISH:
 - 2-1 CONTACT: GOLD FLASH PLATING ON CONTACT AREA
 - 100μ MIN TIN PLATING ON SOLDER TAILS
 - 50μ MIN NICKEL UNDERPLATING OVER ALL
 - PRODUCT SPECIFICATIONS:
 - 3-1 VOLTAGE RATING: 250V
 - 3-2 CURRENT RATING: 2.0A
 - 3-3 INSULATION RESISTANCE: 1000MΩ·OHM·MIN
 - 3-3 CONTACT RESISTANCE: 30 MΩ(OHM) MAX
 - 3-4 OPERATION TEMPERATURE: -55°C TO +125°C
 - 3-5 DURABILITY: 3000 CYCLES
 - 3-6 NORMAL FORCE: 70gF MIN AT THE WORKING POSITION, AFTER DURABILITY THE NORMAL FORCE 70gF MIN.



PRODUCT NO.

BT39-03 A B 05-00

① ② ③ ④

PRODUCT SERIES:

① BT39: BATTERY SERIES

② PIN NO.:

03: 3PIN

③ MATERIAL:

A: LCP

④ SERIES NO.:

00: 沉板1.4H 3.0PITCH

CUSTOMER DRAWING

YTCOON
http://www.ytconn.com

Dongguan YTCOON Electronics Technology Co., Ltd.

GENERAL TOLERANCE	X: ±0.20	DRAWING	DEY1	TITLE:	3.0Pitch 3Pin 电池座 (沉板1.4)
	.XX: ±0.15	APPROVED		P/N:	BT39-03AB05-00
	.XXX: ±0.10	DATE	2013.10.31	DRAWING NO.:	C-BT39-00
ANGEL TOLERANCE	X: ±3°	UNIT	mm	SCALE	1:1
	.XX: ±2°	SCALE	mm	SIZE	A4
	.XXX: ±1°	SCALE	mm	SHEET	1 of 1
		SCALE	mm	REV	A