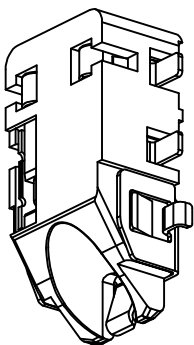
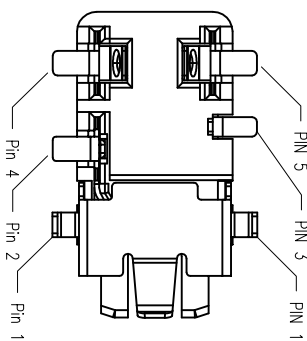
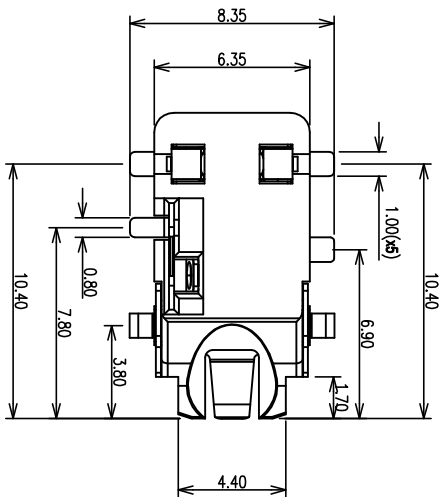
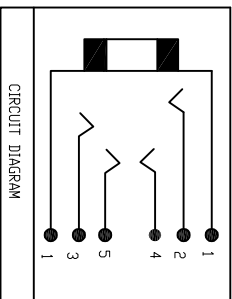
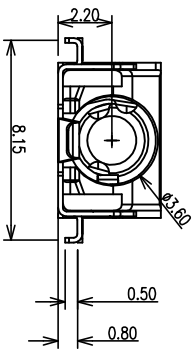
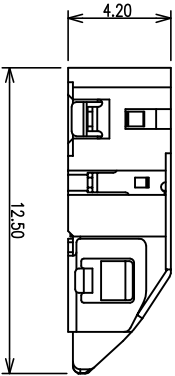


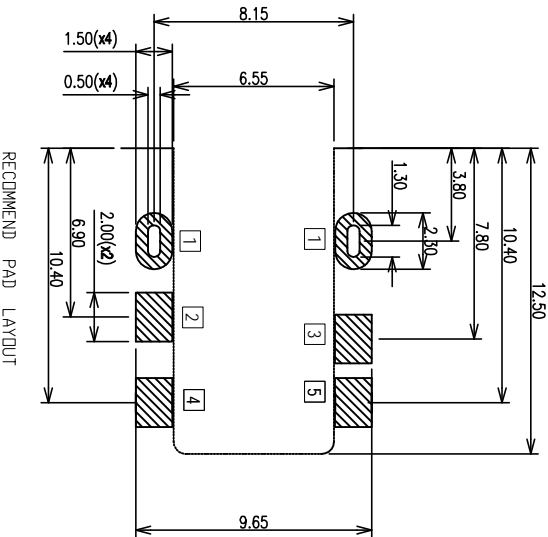
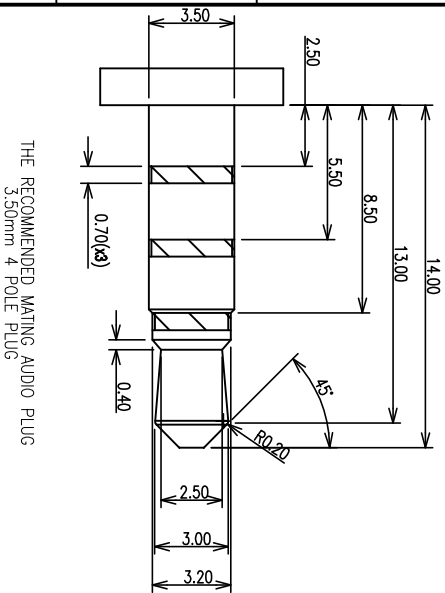
REV	ECN #	DESCRIPTION	DRAWING	APPROVED	DATE
A		NEW RELEASE	DEV1		2012/05/25



- NOTES :
- 1.0) RATING :
- VOLTAGE : 12 VDC (R.M.S.)
  - CURRENT : 1 AMPERE MAXIMUM PER CONTACT AT 30°C T-RISE
  - TEMPERATURE : -25°C TO +85°C
- 2.0) ELECTRICAL CHARACTERISTICS
- CONTACT RESISTANCE : INITIAL 50mΩ MAX. AFTER 100m
  - INSULATION RESISTANCE : 100 MΩ MIN.
  - DIELECTRIC WITHSTANDING VOLTAGE : 500 VAC AT SEA LEVEL
- 3.0) MECHANICAL :
- DURABILITY ,MINIMUM: MATED 5000 CYCLES WITHOUT DEGRADING ELECTRICAL
  - INITIAL:MATING FORCE: 300g~2000g UNMATING FORCE: 300g~2000g
  - AFTER LIFE TESTING:MATING FORCE: 300g~2000g,UNMATING FORCE: 300g~2000g



- PRODUCT NO.
- PJ27-06 A B 03-06
- ① ② ③ ④
- ① PRODUCT SERIES:  
PJ27: PHONE JACK CONNECTOR
- ② PIN NO. :  
06: 6PIN
- ③ MATERIAL:  
A: LCP
- ④ SERIES NO. :  
06: 沉板0.8, 前插后贴小口型



<b>CUSTOMER DRAWING</b>		<b>YTCOON</b>		<b>Dongguan YTCOON Electronics Technology Co., Ltd.</b>	
GENERAL TOLERANCE	DRAWING	DEV1	TITLE:	AUDIO JACK 3.5mm 斜头	
X ±0.20	APPROVED		P/N:	沉板0.8 (前插后贴小口型)	
.XX ±0.15	DATE	2014. 11. 27	DRAWING NO.	C-PJ27-06	
.XXX ±0.10	UNIT	mm	SCALE	1:1	SIZE A4
ANGEL TOLERANCE			SHEET	1of1	REV A
X ±5°					
.XX ±2°					
.XXX ±1°					