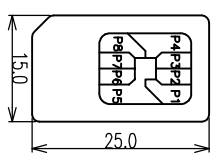
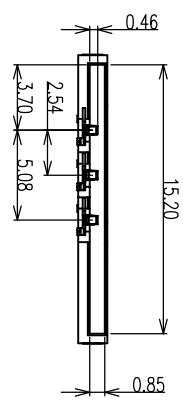
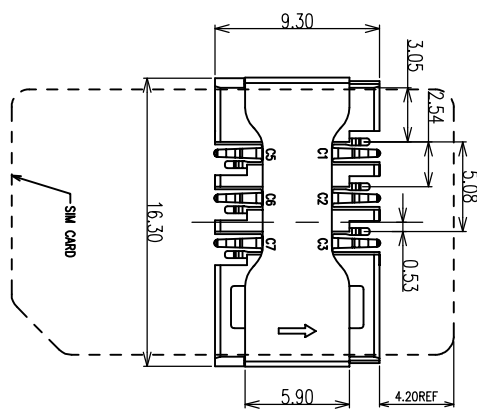
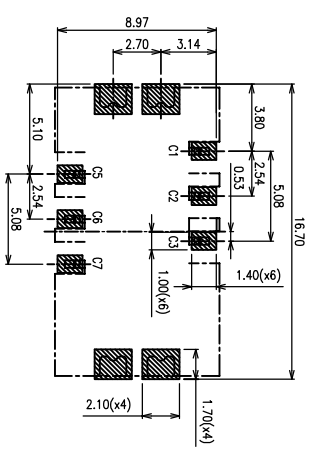


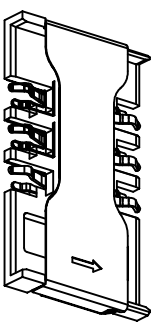
REV	ECN #	DESCRIPTION	DRAWING	APPROVED	DATE
A		NEW RELEASE	DEYI		04/08/14



nether simcard



RECOMMENDED PCB LAYOUT  
TOLERANCE: ±0.05

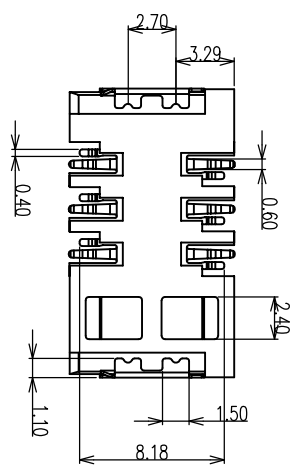


- NOTES:
- 1.MATERIAL:
- 1) HOUSING MATERIAL: THERMOPLASTIC U194V-0; COLOR: BLACK
  - 2) CONTACT MATERIAL: COPPER ALLOY
  - 3) SHELL MATERIAL: STAINLESS STEEL
- 2.FINISH:
- 1) CONTACT FINISH: 50u" MIN. NICKEL UNDER PLATED, PLATED 3u" Au ON CONTACT AREA ; PLATED GOLD FLASH ON SOLDER AREA.
  - 2) SHELL FINISH: 50u" MIN. NICKEL UNDER PLATED, PLATED GOLD FLASH ON SOLDER AREA.
- 3.ELECTRICAL SPECIFICATIONS:
- 1) VOLTAGE RATING: 12 VAC
  - 2) CURRENT: 1 AMPERES MAX. PER CONTACT
  - 3) OPERATION TEMPERATURE RANGE: -25°C ~ +70°C
  - 4) CONTACT RESISTANCE: 60mΩ MAX.
  - 5) INSULATION RESISTANCE: 1000MΩ MIN.
  - 6) DIELECTRIC WITHSTANDING VOLTAGE: 500V AC FOR 1 MINUTE
  - 7) MAX. PROCESSING TEMP: 260°C FOR 30 SECONDS

料号编码

SM49-06 C B 05-00

- ① 产品系列: SM49: SIM CARD
- ② 产品PIN数: 06: 6PIN
- ③ 塑胶材料: C: LCP
- ④ 塑胶颜色: B: 黑色
- ⑤ 产品流水号: 00:



SIM Card terminal NO	Pin NO
Pin 1	vcc:pwr signal and GND
Pin 2	RST: Reset signal
Pin 3	CLK: Clocking signal
Pin 4	reserved
Pin 5	GND: PWR signal and GND
Pin 6	vpp: programming voltage
Pin 7	I/O: serial data input/output
Pin 8	reserved

**CUSTOMER DRAWING**

GENERAL TOLERANCE

X	±0.20
.XX	±0.15
.XXX	±0.10

ANGEL TOLERANCE

X	±3°
.XX	±2°
.XXX	±1°

**YTCONN** <http://www.ytconn.com>

**Dongguan YTCONN Electronics Technology Co., Ltd.**

DRAWING	DEYI	TITLE:	SIM CARD 1.6MM (德林)
APPROVED		P/N:	SM49-06CB05-00
DATE	2014.04.09	DRAWING NO.	C-SM49-00

UNIT	mm	SCALE	1:1	SIZE	A4	SHEET	1 of 1	REV	A
------	----	-------	-----	------	----	-------	--------	-----	---