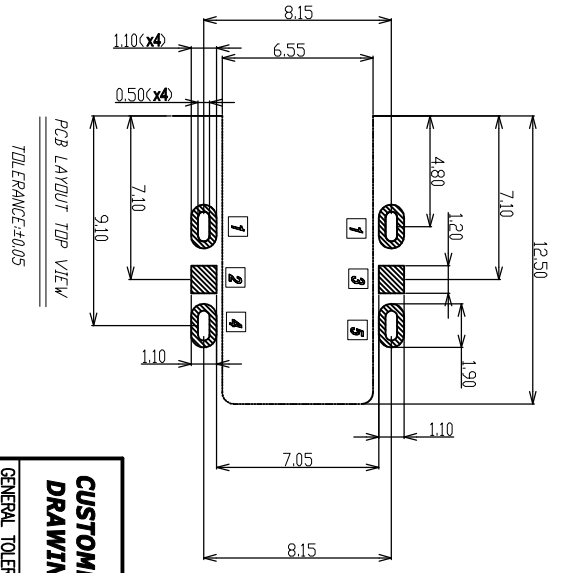
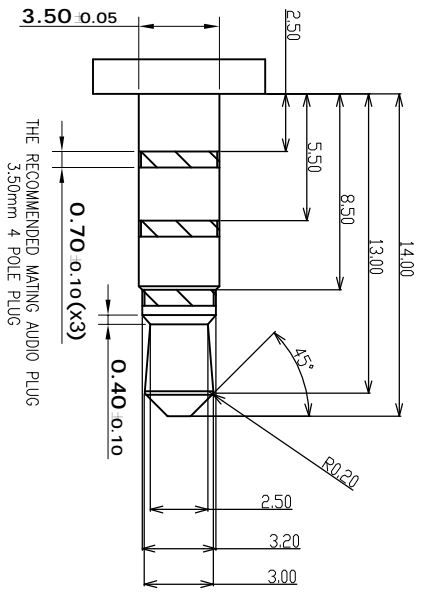
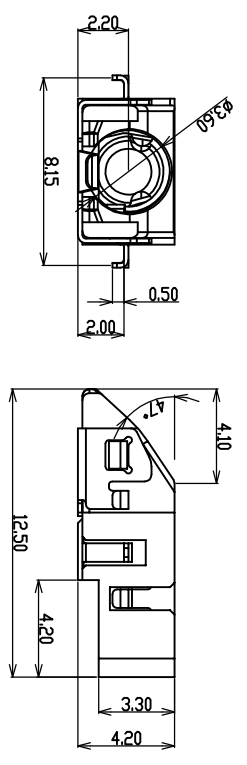
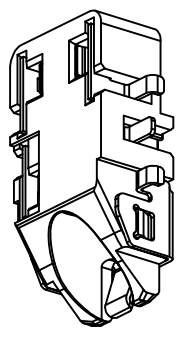
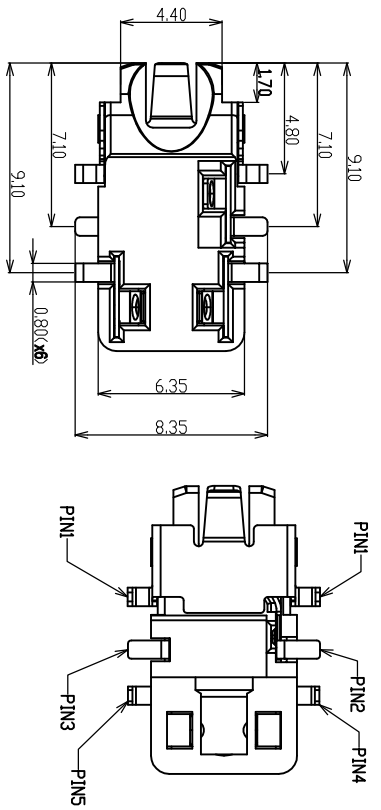


REV	ECN #	DESCRIPTION	DRAWING	APPROVED	DATE
A		NEW RELEASE	DEV1		2015/02/03



- NOTES :
- 1.0) RATING :
- VOLTAGE : 12 VDC (R.M.S.)
 - CURRENT : 1 AMPERE MAXIMUM PER CONTACT AT 30°C T-RISE
 - TEMPERATURE : -25°C TO +85°C
- 2.0) ELECTRICAL CHARACTERISTIC
- CONTACT RESISTANCE : INITIAL 50mΩ MAX. AFTER 100m
 - INSULATION RESISTANCE : 100 MΩ MIN.
 - DIELECTRIC WITHSTANDING VOLTAGE : 500 VAC AT SEA LEVEL
- 3.0) MECHANICAL :
- DURABILITY : MINIMUM: MATED 5000 CYCLES WITHOUT DEGRADING ELECTRICAL
 - INITIAL:MATING FORCE: 300g~2000g, UNMATING FORCE: 300g~2000g
 - AFTER LIFE TESTING:MATING FORCE: 300g~2000g, UNMATING FORCE: 300g~2000g

PRODUCT NO.

PJ32-06 A B 03-03
① ② ③ ④

① PRODUCT SERIES:
PJ32: PHONE JACK CONNECTOR

② PIN NO. :
06: 6PIN

③ MATERIAL:
A: PA-9T

④ SERIES NO. :
03:斜头前后插板, 正流2.0mm

CUSTOMER DRAWING		YTCONN		Dongguan YTCOON Electronics Technology Co., Ltd	
GENERAL TOLERANCE	DRAWING	DEV1	TITLE:	AUD10 JACK斜头前后插板, 正流2.0mm	
X ±0.20	APPROVED		P/N:	PJ32-06AB03-03	
.X ±0.15	DATE	2015.02.03	DRAWING NO.	C-PJ32-03	
.XXX ±0.10	UNIT	mm	SCALE	1:1	SIZE A4
ANGEL TOLERANCE			SHEET	1of1	REV A
X ±5					
.XX ±2					
.XXX ±1					