



REV	ECN #	DESCRIPTION	DRAWING	APPROVED	DATE
A		NEW RELEASE	JIANG		2018/07/19

PRODUCT NO.

TC01-24 C B 16-01

① ② ③ ④ ⑤ ⑥

① PRODUCT SERIES:

TC01: USB TYPE_C PLUG

② PIN NO.:

24: 24PIN

③ HOUSING MATERIAL:

C: LCP

④ COLOR:

B: BLACK

⑤ FINISHING:

15: Au30U", Sn100U"

16: Au5U", Sn100U"

⑥ SERIES NO.:

00: WITHOUT SPRING BLACK

01: WITH SPRING BLACK

02: WITH SPRING WHITE

NOTES:

1. MATERIAL

1.1.HSG: HIGH TEMPERATURE THERMOPLASTIC U94V-0 BLACK;

1.2.CONTACT: COPPER ALLOY

1.3.LATCH: STAINLESS STEEL

1.4.EMI SPRING: STAINLESS STEEL

1.5.SHELL: STEEL

2. FINISH:

2.1 CONTACT:

0.762um [30u"] MIN. Au PLATING ON CONTACT AREA.

254um [100u"] MIN. TIN PLATING ON SOLDERIAL AREA.

1.27um [50u"] MIN.NICKEL UNDERPLATING ON ALLOVER AREA.

2.2 SHELL

NI PLATING OVERALL

2.3 LATCH:

2.54um [100u"] MIN. TIN PLATING ON SOLDERIAL AREA.

1.27um [50u"] MIN.NICKEL UNDERPLATING ON ALLOVER AREA.

3. ELECTRICAL CHARACTERISTICS:

3.1 CONTACT RESISTANCE: 40mΩ MAX.(INITIAL)

3.2 INSULATION RESISTANCE: 100MΩ MIN.

3.3 DIELECTIC WITHSTANDING VOLTAGE: 100V AC FRO 1 MINUTE.

4. MECHANICAL CHARACTERISTICS:

4.1 INSERTION FORCE: 0.5~2.0KG(5N~20N)

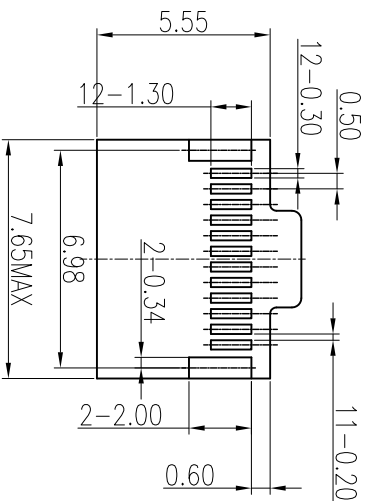
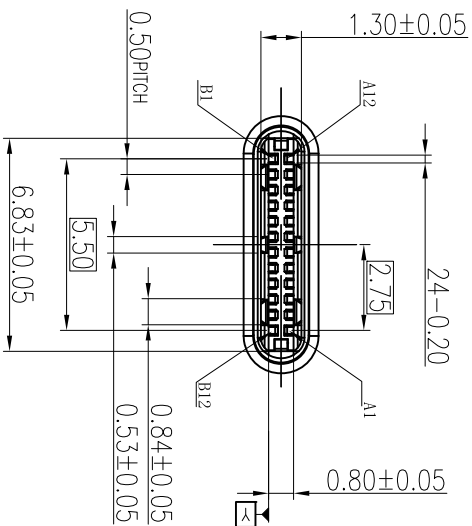
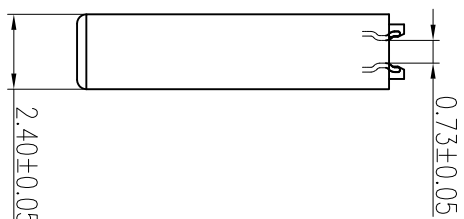
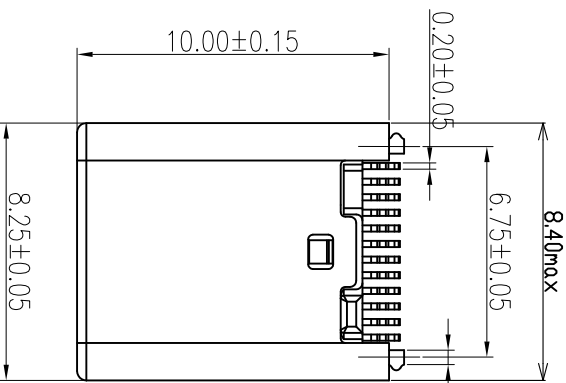
4.2 WITHDRAWAL FORCE: 0.8~2.0KG(8N~20N)

4.3 DURABILITY: 10000 CYCLES

5. ENVIRONMENTAL CHARACTERISTICS:

5.1 OPERATING TEMPERATURE: -30° TO +85°

5.2 STORAGE TEMPERATURE: -40° TO +85°



RECOMMENDED P.C.B LAYOUT(Both sides are sample)
Tolerance:±0.05, Thickness=0.80mm

P/N	Finishing	COLOR
TC01-24CB15-00	Au30U", Sn80u"Min	BLACK
TC01-24CB16-00	Au5u", Sn80u"Min	BLACK
TC01-24CB16-01	Au5u", Sn80u"Min	BLACK
TC01-24CB16-02	Au5u", Sn80u"Min	WHITE

CUSTOMER DRAWING

YTCONN

Dongguan YTCONN Electronics Technology Co., Ltd

GENERAL TOLERANCE

X ±0.20

.XX ±0.15

.XXX ±0.10

ANGEL TOLERANCE

X ±3°

.XX ±2°

.XXX ±1°

DRAWING JIANG

APPROVED

DATE 2018. 07. 20

TITLE: USB TYPE C PLUG ASSY WITHOUT PCB

P/N: SEE TABLE

DRAWING NO. C-TC01-01



UNIT	mm	SCALE	1:1	SIZE	A4	SHEET	1of1	REV	A
------	----	-------	-----	------	----	-------	------	-----	---