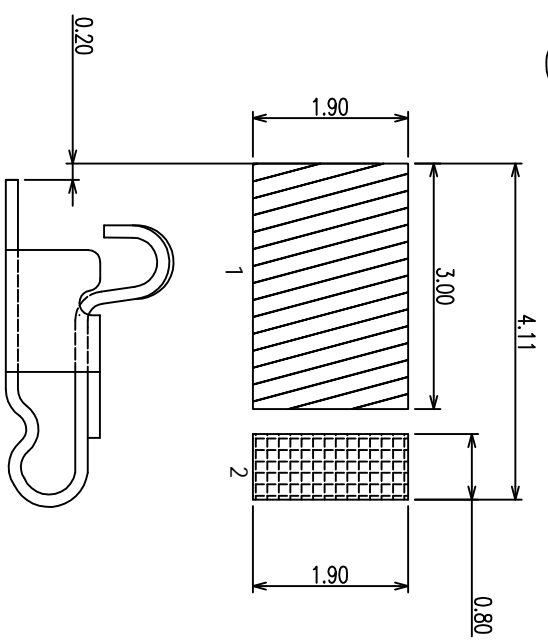
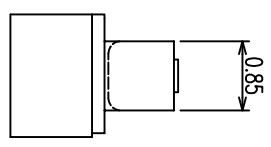
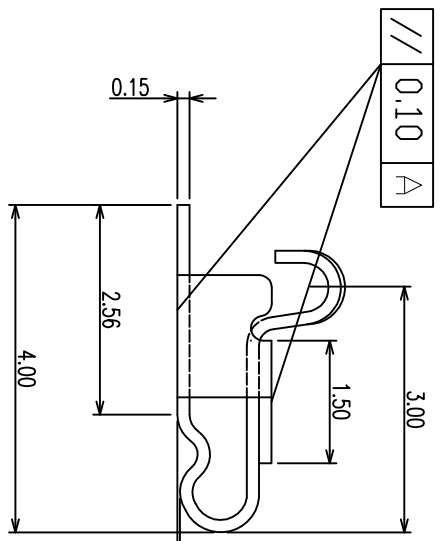
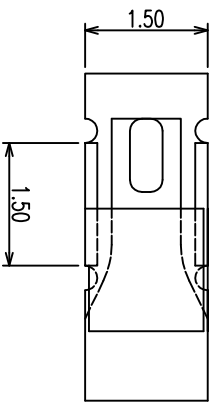
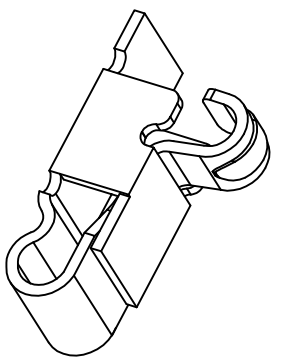


REV	ECON #	DESCRIPTION	DRAWING	APPROVED	DATE
A		NEW RELEASE	DEVI		



1: 此处为焊盘参考数据图。
2: 此处PCB板需避开, 避免接触短路。

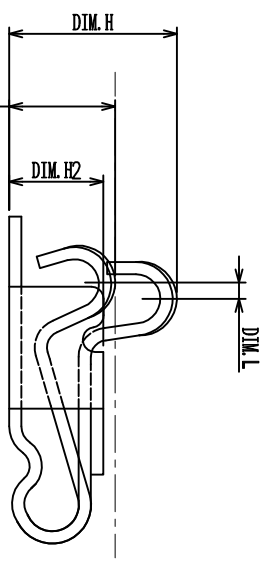


TABLE:

ITEM	PRODUCT NO.	DIM.H	DIM.H1	DIM.H2	DIM.L
1	TP25-01L207-02	2.5	1.56	1.35	0.52

PRAT DRAWING		YTCOON		Dongguan YTCOON Electronics Technology Co., Ltd.	
GENERAL TOLERANCE		DRAWING		TITLE:	
X	±0.10	DEVI		2.5H天线弹片	
.XX	±0.05	APPROVED		P/N:	
.XXX	±0.02	DATE		TP25-01G207-02	
ANGEL TOLERANCE		UNIT		DRAWING NO.:	
X	±3°	mm		C-TP25-02	
.XX	±2°	SCALE		SIZE	
.XXX	±1°	1:1		A4	
		SHEET		SHEET	
		1 of 1		REV	
				A	

PRODUCT NO.

TP25-01 G2 07-02

① ② ③ ④ ⑤

PRODUCT SERIES:

① TP25: 2.5H天线弹片

② PIN NO.:

01: 1PIN

③ MATERIAL:

G2: SUS304

④ 表面处理:

07: 全镀

④ SERIES NO.:

02: 2.5H