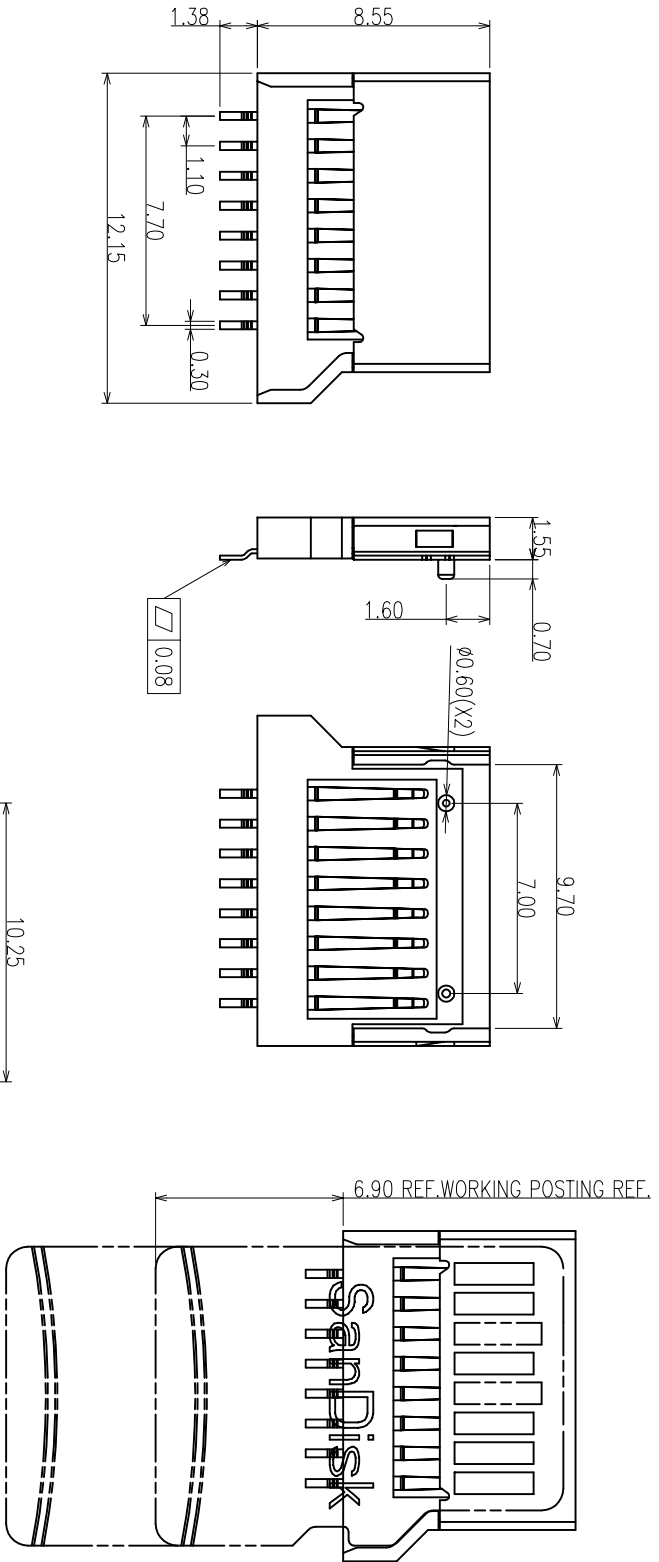


REV	ECN #	DESCRIPTION	DRAWING	APPROVED	DATE
A		NEW RELEASE	DEV1		2012.04.26



- NOTES 1:
- 1.0 RATING.
  - 1.1 VOLTAGE:100 VAC (rms)
  - 1.2 CURRENT: 0.5 AMPERES MAX. PER CONTACT
  - 1.3 OPERATION TEMPERATURE RANGE: -25°C~+90°C
  - 2.0 ELECTRIC CHARACTERISTIC:
  - 2.1 CONTACT RESISTANCE:100±2 MAX.
  - 2.2 INSULATION RESISTANCE: 1000MΩ MIN.
  - 2.3 DIELECTRIC WITHSTANDING VOLTAGE:500V AC FOR 1 MINUTE
  - 3.0 OPERATION LIFE: 5000 CYCLES
  - 4.0 MATERIAL/FINISH:SEE TABLE A

PRODUCT NO.

TF06 - 08 A B 05- 00

- ① 产品系列:
- ② 产品PIN数:
- ③ 塑胶材料:
- ④ 流水码:

TF06: T-FLASH CARD CONNECTOR 抽屉式 1.6H

- ① 产品系列:
- ② 产品PIN数:
- ③ 塑胶材料:
- ④ 流水码:

ITEM	NAME	Q'TY/EACH	MATERIAL/FINISHED	REMARK
3	PAD	2	COPPER ALLOY SN PLATED	
2	CONTACT	8	COPPER ALLOY MATING AREA Au PLATED	
1	HOUSING	1	THERMOPLASTIC UL94V-0, BLACK	

**YTCNN**  
Dongguan YTCNN Electronics Technology Co., Ltd.

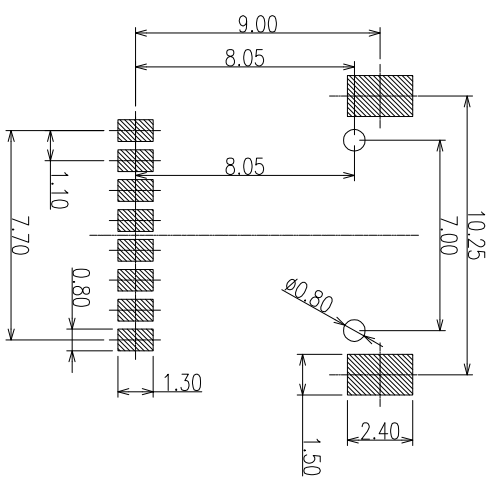
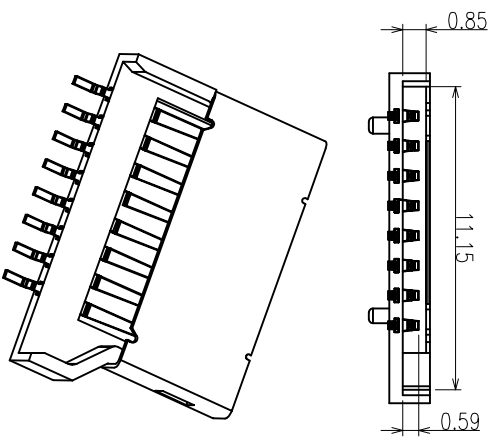
CUSTOMER DRAWING

T-FLASH CARD CONNECTOR  
抽屉式 1.6H

GENERAL TOLERANCE  
X ±0.20  
.XX ±0.15  
.XXX ±0.10

DATE: 2012. 04. 26  
DRAWING NO.: C-TF06-00

RECOMMENDED PCB LAYOUT  
TOLERANCES ±0.05



UNIT	SCALE	SIZE	A4	SHEET	1 of 1	REV	A
mm	1:1	A4	1	1	1	A	