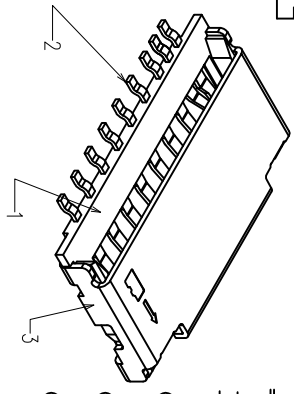
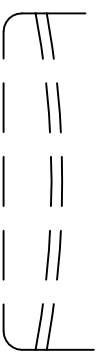
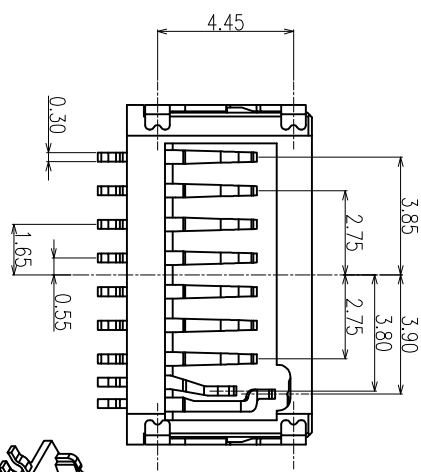
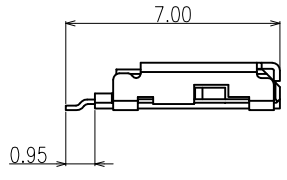
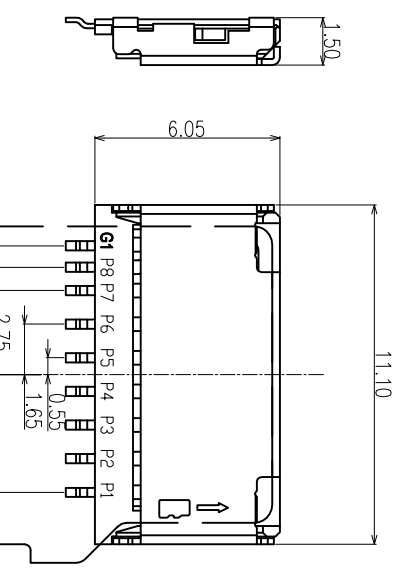
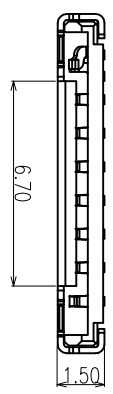


REV	ECON #	DESCRIPTION	DRAWING	APPROVED	DATE
A		NEW RELEASE	DEY1		2012.04.26



NOTE:

- ELECTRICAL CHARACTERISTICS
 - CONTACT RESISTANCE: 80 milliohms MAX.
 - INSULATION RESISTANCE: 1,000 Megohms MIN.
 - DIELECTRIC WITHSTANDING VOLTAGE: 500V AC MIN
- MECHANICAL CHARACTERISTICS
 - RETENTION FORCE: MIN.1000GF/PIN
 - DURABILITY: 5,000 CYCLES
 - PRODUCT COMPLIED WITH ROHS

FOR 1 MINUTE.

PRODUCT NO. _____

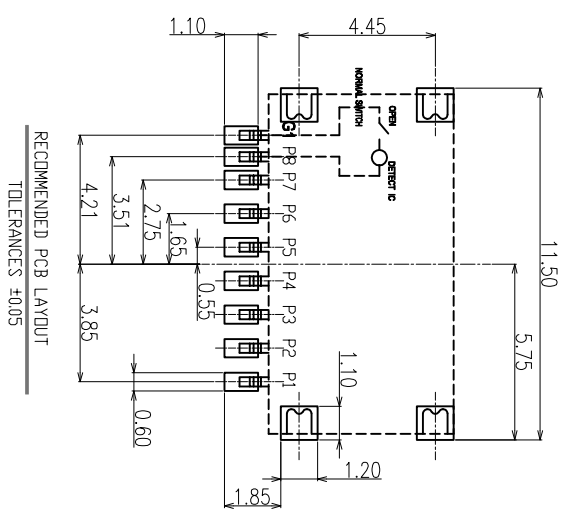
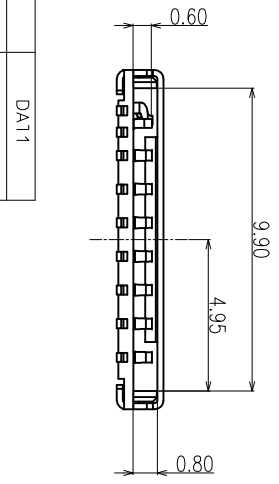
TF03 - 09 A B 05 - 05

① 产品系列: TF03-T-FLASH CARD 简易式

② 产品PIN数: 09: 9PIN

③ 塑胶材料: A: LCP BLACK

④ 流水码: 05: H=1.5MM,W/SWITCH(type1)



P8	DATA1
P7	DATA0
P6	VSS
P5	CLK
P4	VDD
P3	CMD
P2	CD/DAT3
P1	DAT2
PIN NUMBER	PIN NUMBER

ITEM	MANE	QTY/EACH	MATERIAL/FINISHED	REMARK
3	SHELL	1	STAINLESS STEEL	
2	CONTACT	8	COPPER ALLOY MATING AREA Au PLATED	
1	HOUSING	1	THERMOPLASTIC UL94V-0-BLACK	

CUSTOMER DRAWING

YTCONN
Dongguan YTCOIN Electronics Technology Co., Ltd.
<http://www.hnytcconn.com>

GENERAL TOLERANCE
X: ±0.20
XX: ±0.15
XXX: ±0.10

ANGLE TOLERANCE
X: ±3°
XX: ±2°
XXX: ±1°

DRAWING: DEY1
TITLE: T-FLASH CARD CONNECTOR(W/S)

DATE: 2013.10.28
DRAWING NO.: C-TF03-05

UNIT: mm
SCALE: 1:1
SIZE: A4
SHEET: 1 of 2
REV: A