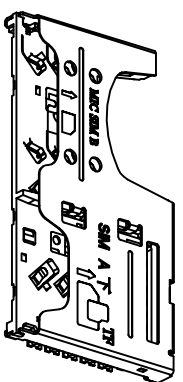
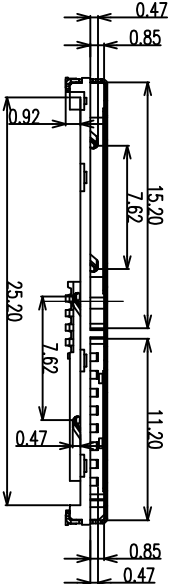
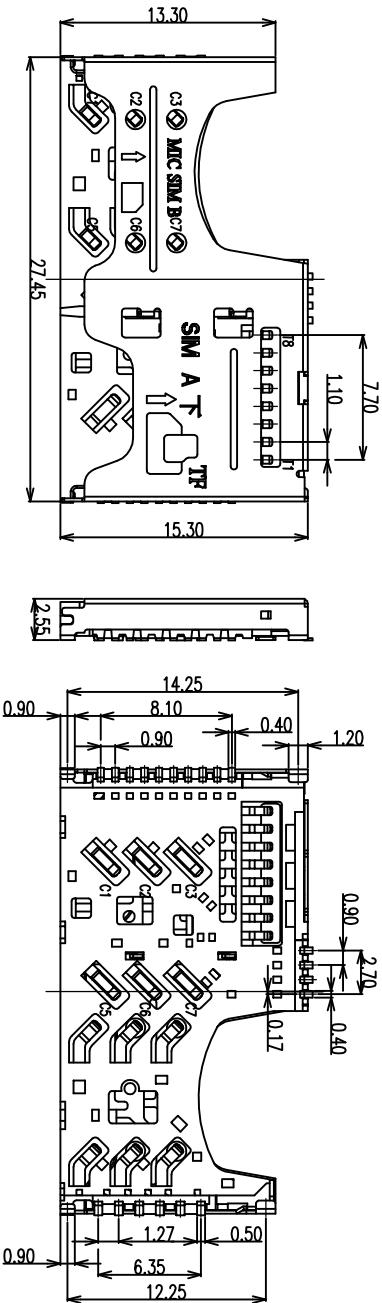


REV	ECN #	DESCRIPTION	DRAWING	APPROVED	DATE
A		NEW RELEASE	DEVI		12/11/12

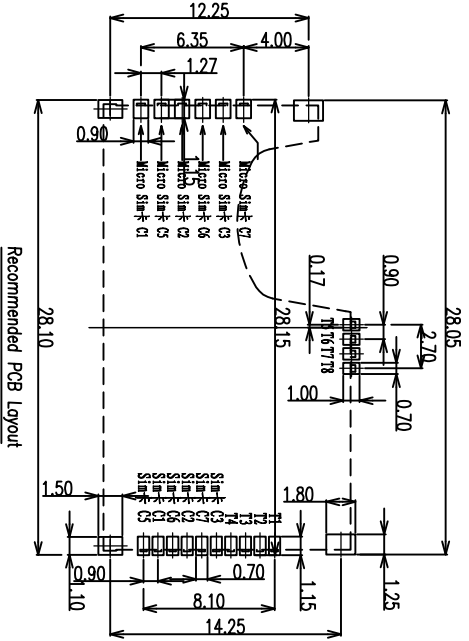
NOTES:

- ELECTRICAL SPECIFICATIONS:
CURRENT RATING: 0.5A,
VOLTAGE RATING: 5V,
CONTACT RESISTANCE: 50 MILL.OHM MAX.,
INSULATION RESISTANCE: 1000 MEG.OHM MIN.
- MECHANICAL SPECIFICATIONS:
DURABILITY: 5000 CYCLES MIN.



Micro Sim卡/Sim卡 Pin脚定义 卡 Pin脚定义

BP	描述	No.	描述
C1	Vcc	T1	DATA2
C2	RST	T2	CD/DAT3
C3	CLK	T3	GND
---	Reserved	T4	VDD
C5	GND	T5	CLK
C6	VPP	T6	VSS
C7	I/O	T7	DATA0
---	Reserved	T8	DATA1



Recommended PCB Layout

CUSTOMER DRAWING

GENERAL TOLERANCE
X: ±0.20
.XX: ±0.15
.XXX: ±0.10

ANGEL TOLERANCE
X: ±3°
.XX: ±2°
.XXX: ±1°

YTCOONN
<http://www.ytconn.com>

Dongguan YTCOONN Electronics Technology Co., Ltd

DRIVING: DEVI
TITLE: 三合一(Micro Sim卡+Sim卡+TF卡)2.55H成品图
P/N: SM56-20AB05-00
DATE: 2015.07.01
DRAWING NO.: C-SM56-00

UNIT: mm SCALE: 1:1 SIZE: A4 SHEET: 1 of 2 REV: A

- 料号编码
SM56-20 A B 05-00
① ② ③ ④ ⑤
- ① 产品系列: SM56: 2.55H DOUBLE SIM CARD CONNECTOR
② 产品PIN数: 20: 20PIN
③ 塑胶材料: A: LCP
④ 塑胶颜色: B: 黑色
⑤ 产品流水号 00: 2.55h