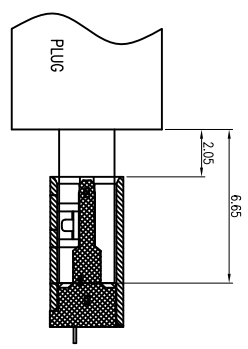
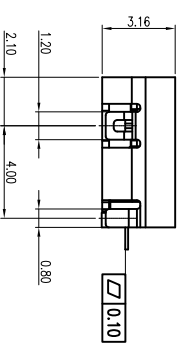
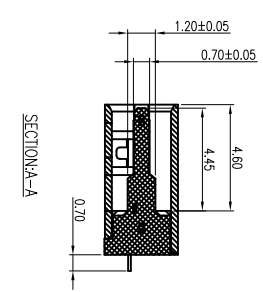
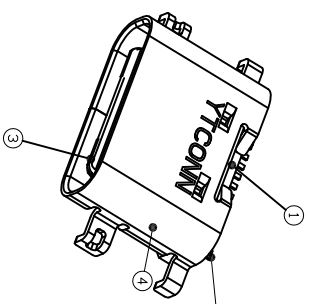
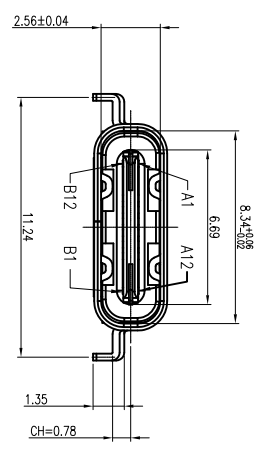
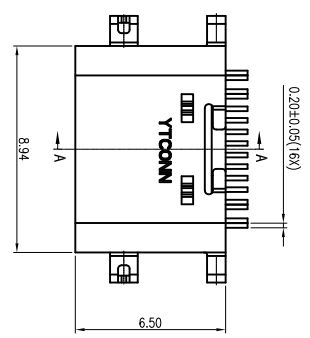
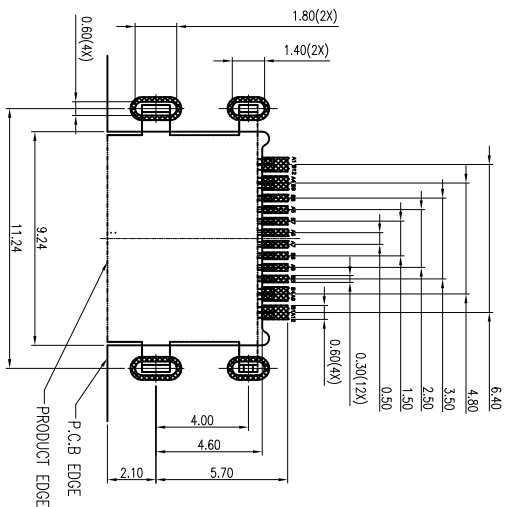
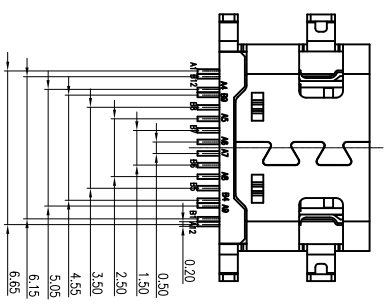


REV	ECN #	DESCRIPTION	DRAWING	APPROVED	DATE
A		NEW RELEASE	DEVI		2018/11/15



AFTER MATING



USB TYPE-C PIN ASSIGNMENTS

PIN	SIGNAL NAME	PIN	SIGNAL NAME
A1	GND	B12	GND
A4	VBUS	B9	VBUS
A5	CC1	B8	SRU2
A6	DP1	B7	DM2
A7	DN1	B6	DP2
A8	SRU1	B5	CC2
A9	VBUS	B4	VBUS
A12	GND	B1	GND

- NOTE:
- MECHANICAL PERFORMANCE.
 - 1-1. INSERTION FORCE: 0.5~2.0kgf.
 - 1-2. REMOVAL FORCE: 0.8kgf~2.0kgf.
 - 1-3. DURABILITY: 10000 CYCLES.
 - ELECTRICAL PERFORMANCE.
 - 2-1. CURRENT RATING: 5.0A
 - 2-2. ILCR: VBUS & GND PINS AND OTHER PINS: 40mΩ/PIN MAX. SHIELD: 50mΩ/MAX. LCR MAX. CHANGE OF ALL PINS: 10mΩ.
 - 2-3. INSULATION RESISTANCE: 100MΩ MIN
 - 2-4. DIELECTRIC WITHSTAND VOLTAGE: AC 100V FOR 1 MINUTE.
 - ENVIRONMENTAL PERFORMANCE.
 3. OPERATING TEMPERATURE: -25°C~+85°C.
 4. AIR REFLOW: THE PEAK TEMPERATURE ON THE BOARD SHALL BE MAINTAINED FOR 10 SECONDS AT 260°C.

- PRODUCT NO.
- UC01 - 16 C B 05 - 00
- ① 产品系列:
 - ② 产品PN码:
 - ③ 材质:
 - ④ 颜色码:
 - ⑤ 电镀规格码:
 - ⑥ 产品流水码:
- UC01: USB TYPE C REC L=6.50
- 16: 16PIN
- C: LCP
- B: BLACK
- 05: 非金手指U"
- 00: 沉板0.8

NO.	DESCRIPTION	MATERIAL	REMARKS	QTY
4	FRONT SHELL	STAINLESS STEEL	IN 304" MIN. UNDER PLATED OVER ALL	1PCS
3	MID PLATE	COPPER ALLOY	CLEAR ONLY	1PCS
2	CONTACTS	COPPER ALLOY	Au/Ni Plated	1SET
1	HOUSING	HIGH TEMPERATURE PLASTIC	BLACK	1PCS

CUSTOMER DRAWING

YTCOMM

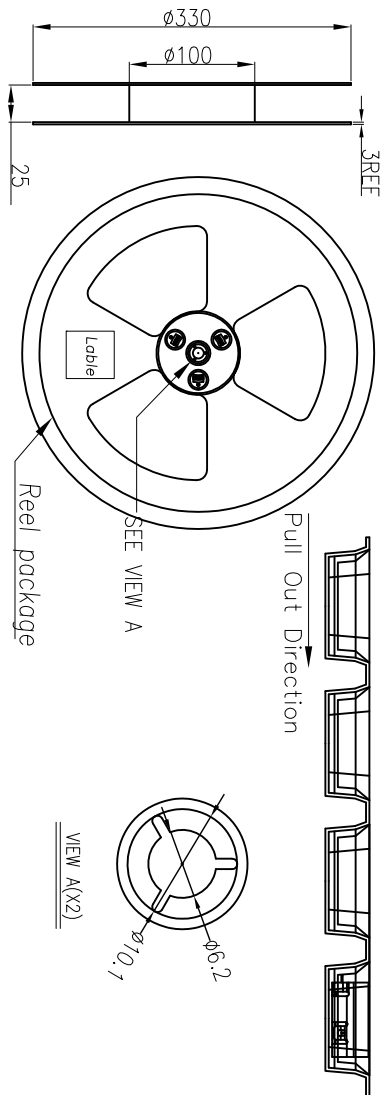
Dongguan YTCOMM Electronics Technology Co., Ltd

http://www.ytcomm.com

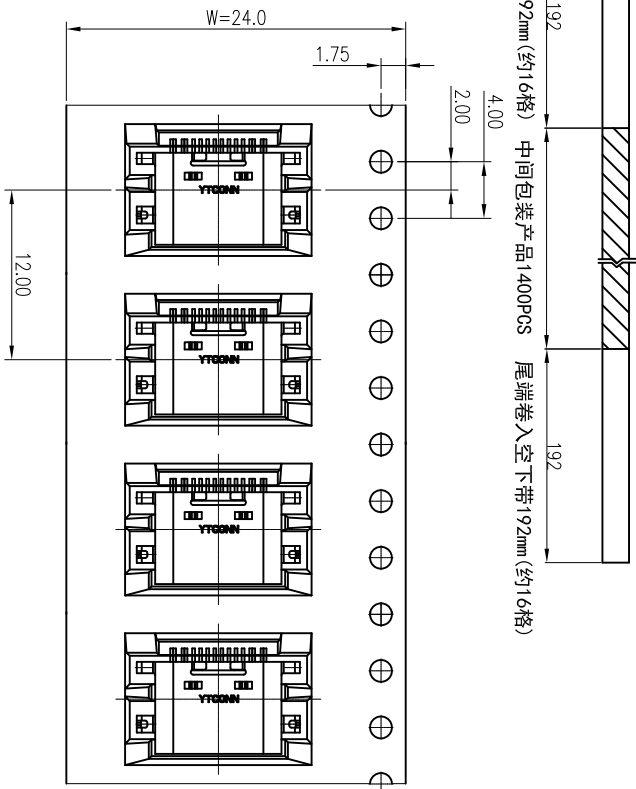
GENERAL TOLERANCE	DRAWING	TITLE:
X .X ±0.20	Jiang	USB TYPE C REC 16PIN (L=6.5)
.XX ±0.15	APPROVED	沉板0.8
XXX ±0.10	DATE	UC01-16CB05-00
ANGEL TOLERANCE	2018.11.15	DRAWING NO. C-UC01-00
X .±3°	UNIT mm	SCALE 1:1
XX ±2°	SCALE	SIZE A4
XXX ±1°	SCALE	SHEET 1of1
	SCALE	REV A

Packing Notes:

1. Reel : 1400pcs/ Reel.
2. Carton : 23800pcs/ 17 Reel/ Carton.



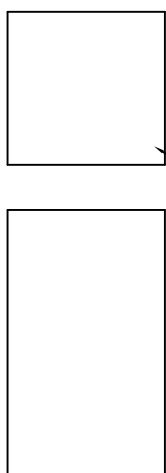
前端卷入空下带192mm(约16格) 中间包装产品1400PCS 尾端卷入空下带192mm(约16格)



Pull Out Direction

REV	ECN #	DESCRIPTION	DRAWING	APPROVED	DATE
A		NEW RELEASE	DEF1		

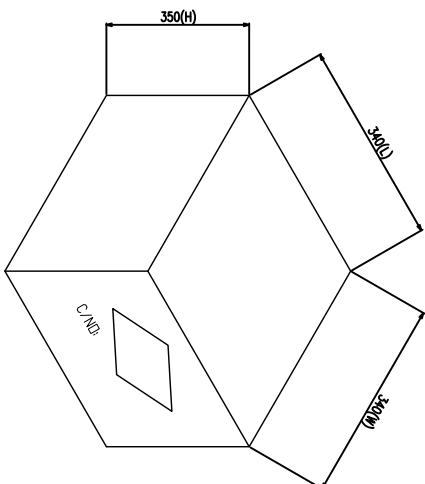
- 1) 用TAPE将纸箱封实.
- 2) 将标签贴于纸箱侧.



备 注

(REMARK)

- 1). 若有未装满之零数箱, 必须以缓冲材料塞满.
- 2). 在搬运过程中要轻拿轻放.
- 3). 在运输中不可堆放过多, 不可有重压现象.
- 4). 上带在黏贴下带时必须平整, 且黏贴处不要出现气泡.



CUSTOMER DRAWING		YTCOMM		Dongguan YTCOMM Electronics Technology Co., Ltd.	
GENERAL TOLERANCE	DRAWING	Jiang	TITLE:	USB TYPE C REC 16PIN (I=6.5) MID MOUNT CH=0.80 包装图	
X: ±0.20	APPROVED		P/N:	UC01-16CB05-00	
XX: ±0.15	DATE	2018.11.15	DRAWING NO.	P-UC01-00	
XXX: ±0.10	UNIT	mm	SCALE	1:1	SIZE A4 SHEET 1of1 REV A
ANGEL TOLERANCE					
X: ±3°					
XX: ±2°					
XXX: ±1°					