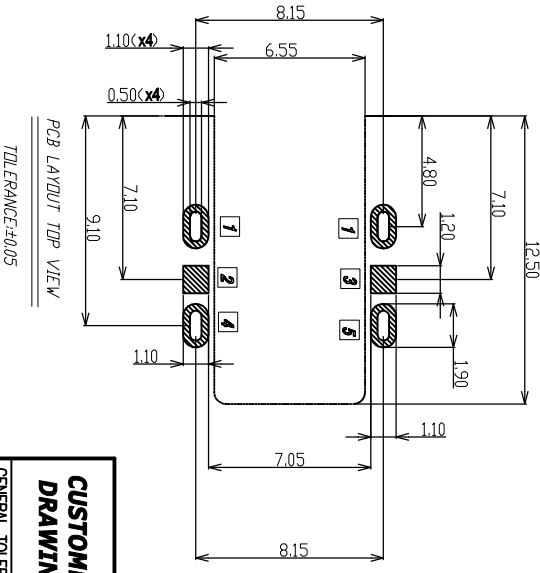
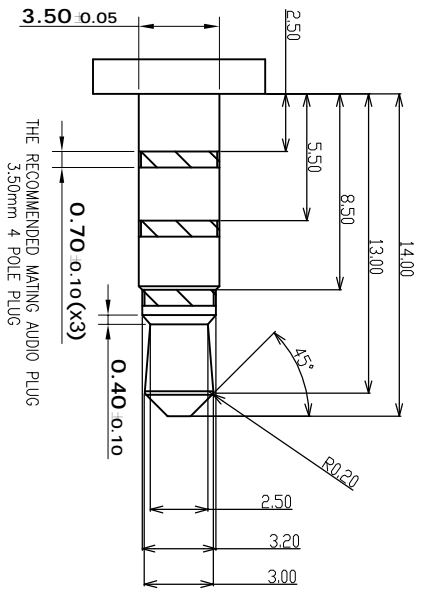
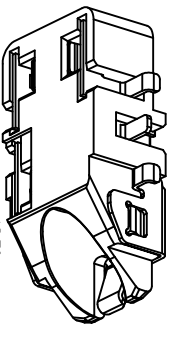
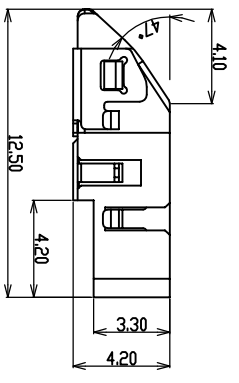
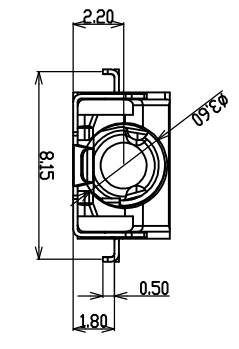
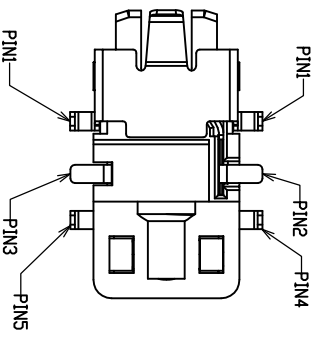
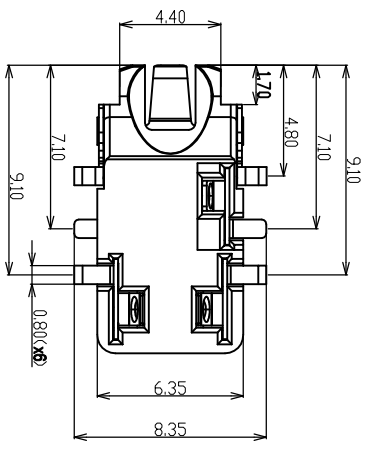


REV	ECON #	DESCRIPTION	DRAWING	APPROVED	DATE
A		NEW RELEASE	DEV1		2015/02/03



- NOTES :
- 1.0) RATING :
- 1.1. VOLTAGE : 12 VDC (R.M.S.)
 - 1.2. CURRENT : 1 AMPERE MAXIMUM PER CONTACT AT 30°C T-RISE
 - 1.3. TEMPERATURE : -25°C TO +85°C
- 2.0) ELECTRICAL CHARACTERISTIC
- 2.1. CONTACT RESISTANCE : INITIAL 50mΩ MAX. AFTER 100m
 - 2.2. INSULATION RESISTANCE : 100 MΩ MIN.
 - 2.3. DIELECTRIC WITHSTANDING VOLTAGE : 500 VAC AT SEA LEVEL
- 3.0) MECHANICAL :
- 3.1. DURABILITY : MINIMUM: MATED 5000 CYCLES WITHOUT DEGRADING ELECTRICAL
 - 3.2. INITIAL:MATING FORCE: 300g~2000g, UNMATING FORCE: 300g~2000g
 - 3.3. AFTER LIFE TESTING:MATING FORCE: 300g~2000g, UNMATING FORCE: 300g~2000g

PRODUCT NO.

PJ32-06 A B 03-02
 ① ② ③ ④

- ① PRODUCT SERIES: PJ32: PHONE JACK CONNECTOR
- ② PIN NO. :
- ③ MATERIAL: 06: 6PIN
- A: PA-9T
- ④ SERIES NO. : 02:斜头前后插板, 正流1.8mm

CUSTOMER DRAWING

YTCONN Dongguan YTCONN Electronics Technology Co., Ltd

GENERAL TOLERANCE	DRAWING	DEV1	TITLE:	AUD10 JACK斜头前后插板, 正流1.8mm
X ±0.20	APPROVED		P/N:	PJ32-06AB03-02
.XX ±0.15	DATE	2015.04.23	DRAWING NO.	C-PJ32-02
.XXX ±0.10	UNIT	mm	SCALE	1:1
ANGEL TOLERANCE	SIZE	A4	SHEET	1of1
X ±.5	REV	A		
.XX ±.2				
.XXX ±.1				

