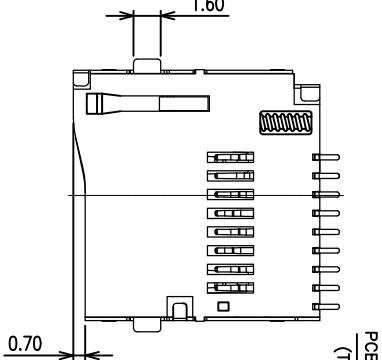
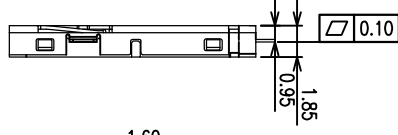
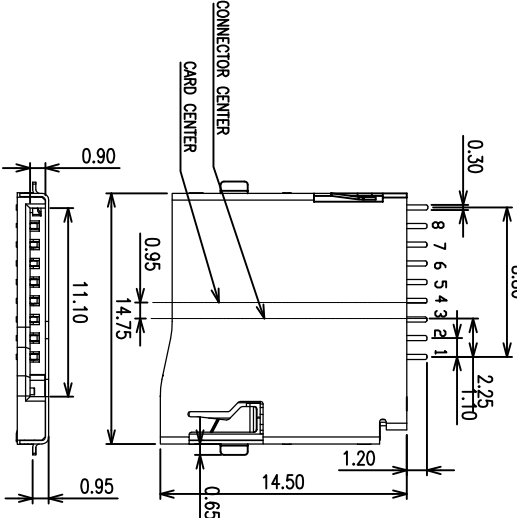
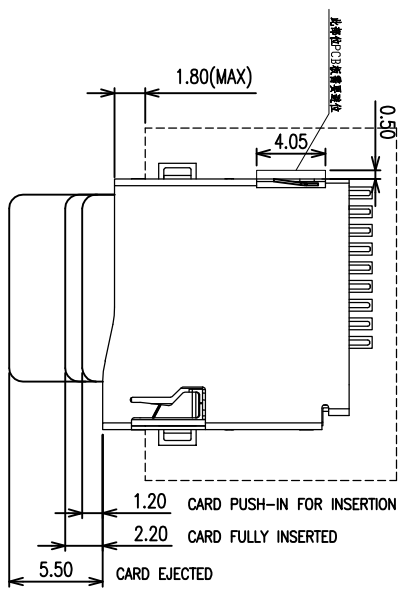


REV	EON #	DESCRIPTION	DRAWING	APPROVED	DATE
A		NEW RELEASE	DEY1		2012.04.26



Specification

- *Electrical Characteristics:
 - Contact Current Rating:0.5 Amperes.
 - Dielectric Withstanding Voltage:AC500V r.m.s.
 - Insulation Resistance:1000 MΩ Minimum.
 - Contact Resistance:40 mΩ Maximum.
- *Environmental:
 - Operating Temperature:-25°C~+90°C.
- *Environmental:
 - Mating Cycles:10,000 Insertions.
- *Mechanical Characteristics:
 - Card Push Insertion/Out Force:0.7~1.20kgf.
 - Contact Separation Force:0.20kgf Minimum.
- *Material:
 - Insulator:Hi-Temp Plastic UL 94V-0 Rated.
 - Contact:Copper Alloy(±0.15mm).
 - Shell:Stainless Steel(t=0.20mm).
 - Spring:SWP.

PRODUCT NO.

TF04 - 08 A B 05- 01
 ① ② ③ ④

① 产品系列:
 TF04-1-FLASH CARD 插拔式

② 产品PIN数:
 08: 8PIN

③ 塑胶材料:
 A: LCP BLACK
 ④ 流水码:
 01: 流板式

Pin No.	Pin assignment	Pin No.	Pin assignment
1	DATA2	5	CLK
2	CD/DATA3	6	VSS
3	CMD	7	DATA0
4	VDD	8	DATA1

CARD DETECTION SWITCH	
WHEN CARD IS EJECTED	WHEN CARD IS INSERTED
OPEN	CLOSE
CD	CD

CUSTOMER DRAWING

YTCONN
<http://www.hnyconn.com>

Dongguan YTCONN Electronics Technology Co., Ltd

DRAWING: DEY1
 TITLE: T-FLASH 卡座插推/插拔式

APPROVED: P/N: TF04-08AB05-01
 DATE: 2013.11.18
 DRAWING NO: C-TF04-01

GENERAL TOLERANCE		ANGEL TOLERANCE	
X	±0.20	X	±3°
XX	±0.15	XX	±2°
XXX	±0.10	XXX	±1°

UNIT	mm	SCALE	1:1	SIZE	A4	SHEET	1 of 1	REV	A
------	----	-------	-----	------	----	-------	--------	-----	---