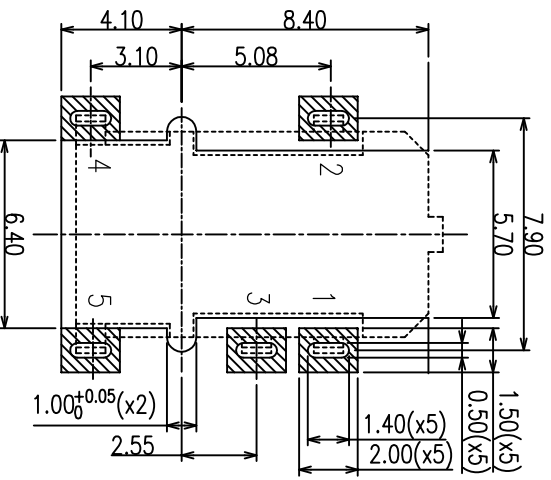
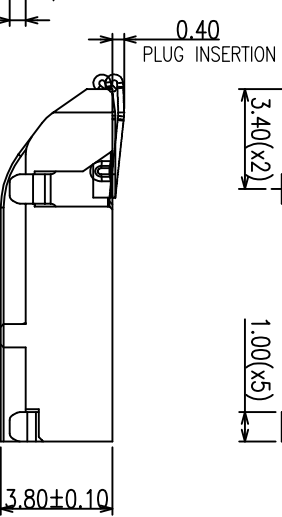
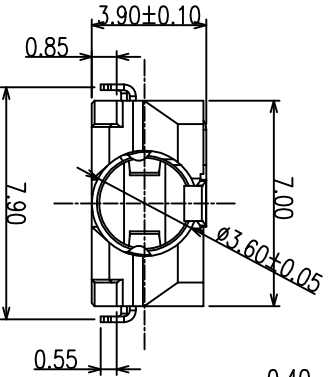
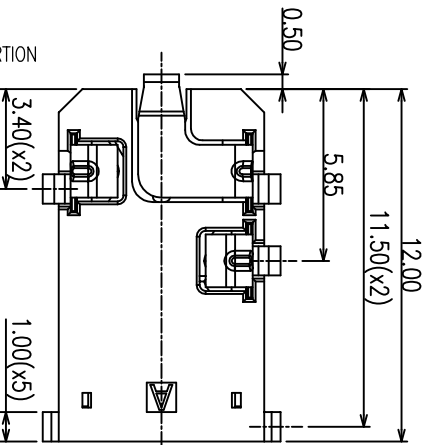
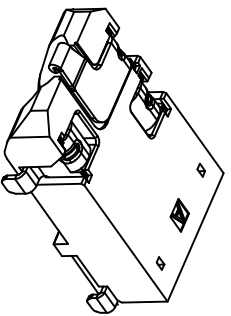
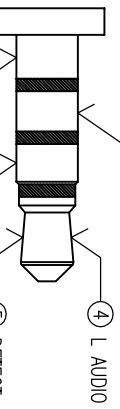
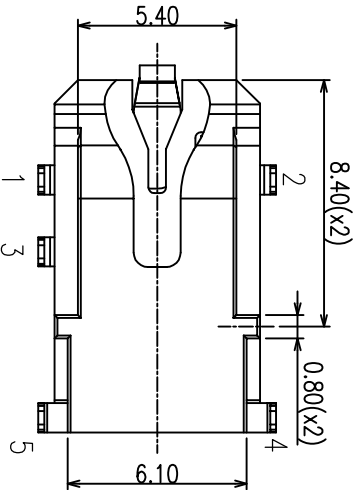


REV	ECON #	DESCRIPTION	DRAWING	APPROVED	DATE
A		NEW RELEASE	DEV1		2012/05/25

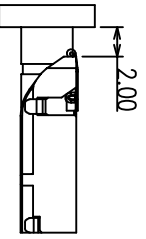
- NOTES:
- CONTACT CURRENT RATING: 1A.
  - CONTACT RESISTANCE: 50 mΩ MAX.;
  - INSULATION RESISTANCE: 1000Ω MIN.;
  - DIELECTRIC WITHSTANDING: 500V AC MIN.;
  - DURABILITY: 5,000 CYCLES MIN.;
  - CONNECTOR MATING FORCES: 29.4N (3.00kgf) MAX.;
  - CONNECTOR UNMATING FORCES: 2.94N(0.30kgf) MIN.;



RECOMMENDED PCB LAYOUT  
TOLERANCES ±0.05(TOP VIEW)



PLUG MATED DIMENSION



<b>CUSTOMER DRAWING</b>		<b>YTCONN</b>		<b>Dongguan YTCONN Electronics Technology Co., Ltd.</b>	
GENERAL TOLERANCE	DRAWING	DEV1	TITLE:	PHONE JACK CONNECTOR Ø3.5mm 沉板0.85mm	
X ±0.20	APPROVED		P/N:	PJ30-05AB03-00	
.XX ±0.15	DATE	2014.04.03	DRAWING NO.	C-PJ30-00	
.XXX ±0.10	UNIT	mm	SCALE	1:1	SIZE A4
ANGLE TOLERANCE			SHEET	1 of 1	REV A
X ±5°					
.XX ±2°					
.XXX ±1°					

- PRODUCT NO. PJ30-05 A B 03-00
- ① PRODUCT SERIES: PJ30: PHONE JACK CONNECTOR
  - ② PIN NO.: 05: 5PIN
  - ③ MATERIAL: A: LCP
  - ④ SERIES NO.: 00: 沉板0.85