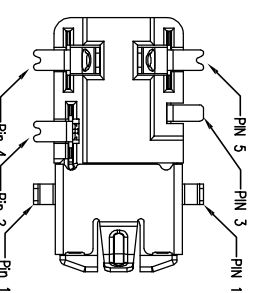
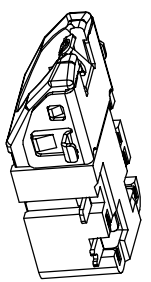
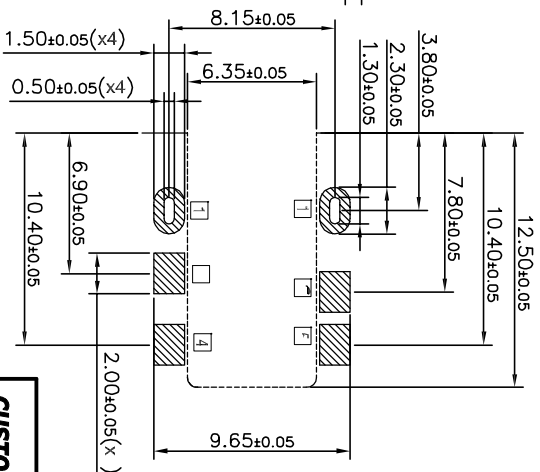
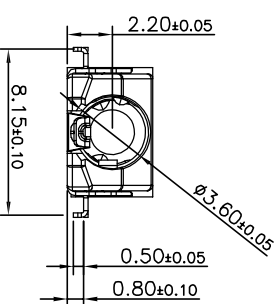
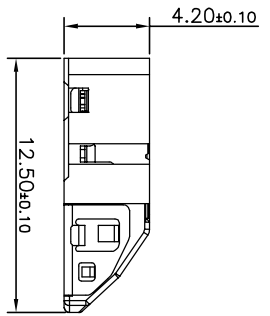
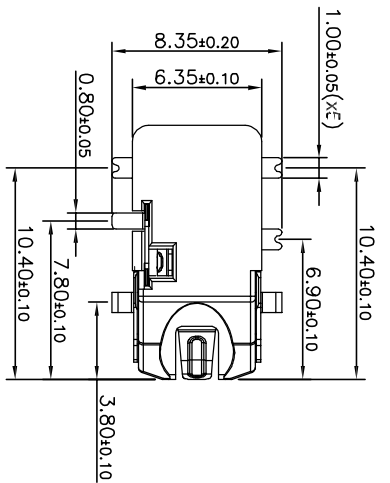


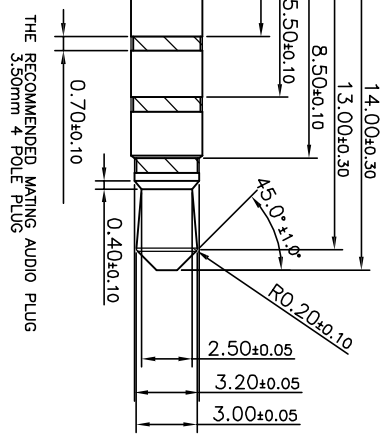
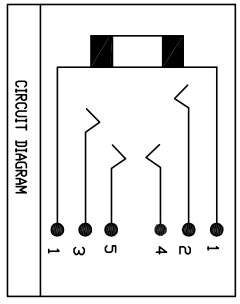
REV	ECN #	DESCRIPTION	DRAWING	APPROVED	DATE
A		NEW RELEASE	DEV1		2012/05/25



- NOTES :
- 1.0) RATING :
- VOLTAGE : 12 VDC (R.M.S.)
 - CURRENT : 1 AMPERE MAXIMUM PER CONTACT AT 30°C T-RISE
 - TEMPERATURE : -25°C TO +85°C
- 2.0) ELECTRICAL CHARACTERISTIC
- CONTACT RESISTANCE : INITIAL 50m MAX. AFTER 100m
 - INSULATION RESISTANCE : 100 M. MIN.
 - DIELECTIC WITHSTANDING VOLTAGE : 500 VAC AT SEA LEVEL
- 3.0) MECHANICAL :
- DURABILITY ,MINIMUM: MATED 5000 CYCLES WITHOUT DEGRADING ELECTRICAL
 - INITIAL-MATING FORCE: 300g~2000g;UNMATING FORCE: 200g~2000g
 - AFTER LIFE TESTING-MATING FORCE: 300g~2000g;UNMATING FORCE: 200g~2000g



RECOMMEND PAD LAYOUT



THE RECOMMENDED MATING AUDIO PLUG
3.50mm 4 POLE PLUG

- PRODUCT NO. P127-06 A B 03-01
- PRODUCT SERIES:
 - PIN NO.:
 - MATERIAL:
 - SERIES NO.:
- P127: PHONE JACK CONNECTOR
- 06: 6PIN
- A: LCP
- 01: 前插后插, 正沉0.80mm

CUSTOMER DRAWING

YTCONN
Dongguan YTCONN Electronics Technology Co., Ltd.

GENERAL TOLERANCE	DRAWING	DEV1	TITLE:	AUDIO JACK & 5mm SMT-H1P CONN
X ±0.20	APPROVED		P/N:	P127-06AB03-01
.XX ±0.15	DATE	2014. 04. 19	DRAWING NO.	C-P127-01
.XXX ±0.10	UNIT	mm	SCALE	1:1
ANGEL TOLERANCE			SIZE	A4
X ±3°			SHEET	1 of 1
.XX ±2°			REV	A
.XXX ±1°				