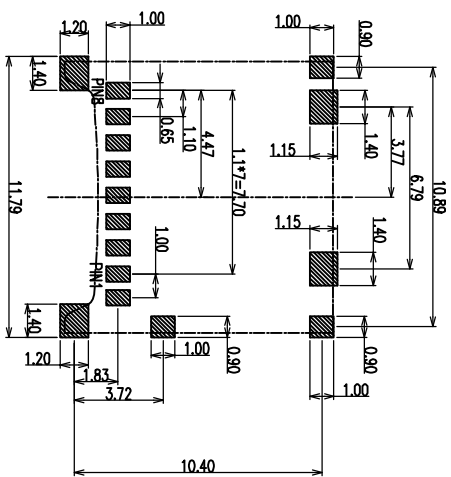
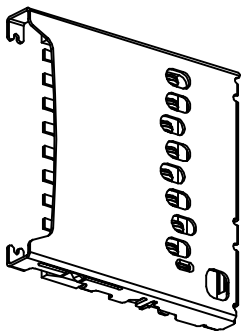


PIN NO.	PIN NAME
PIN 1	DATA2
PIN 2	CD/DATA3
PIN 3	CMD
PIN 4	VDD
PIN 5	CLK
PIN 6	VSS
PIN 7	DAT0
PIN 8	DAT1



RECOMMENDED PCB LAYOUT  
 TOLERANCES ±0.05



REV	ECN #	DESCRIPTION	DRAWING	APPROVED	DATE
A		NEW RELEASE	DEYI		2012\04\26

- NOTES 1:
- 1.0 RATING.
  - 1.1 VOLTAGE:100 VAC (rms)
  - 1.2 CURRENT: 0.05 AMPERES MAX. PER CONTACT
  - 1.3 OPERATION TEMPERATURE RANGE: -25°C~+90°C
  - 2.0 ELECTRIC CHARACTERISTIC:
  - 2.1 CONTACT RESISTANCE:100mΩ MAX.
  - 2.2 INSULATION RESISTANCE: 1000MΩ MIN.
  - 2.3 DIELECTRIC WITHSTANDING VOLTAGE:500V AC FOR 1 MINUTE
  - 3.0 OPERATION LIFE: 5000 CYCLES
  - 4.0 CONTACT PIN ASSIGNMENT:SEE TABLE A

- NOTES2:
- 1.产品平面度要求: 0.10mm Max.
  - 2.包装方式: REEL

PRODUCT NO.

TF11 - 08 C B 07 - 0X  
 ① ② ③ ④

- ① 产品系列: TF11:T-FLASH 简易式连接器
- ② 产品Pin数: 08: 8PIN
- ③ 塑胶材料: C: LCP BLACK
- ④ 流水码: 00:有LOGO 01:无LOGO

<b>CUSTOMER DRAWING</b>		<b>YTCONN</b> Dongguan YTCONN Electronics Technology Co., Ltd	
GENERAL TOLERANCE	DRAWING	DEYI	TITLE: T-FLASH CARD CONNECTOR (1.55H简易式)
X ±0.20	APPROVED		P/N: TF11-08CB07-0X
.XX ±0.15	DATE	2016. 08. 31	DRAWING NO. C-TF11-00
.XXX ±0.10	UNIT	mm	SCALE
ANGEL TOLERANCE	SCALE	1:1	SIZE A4
X ±3	SHEET	1of2	REV A
XX ±7	SHEET		
.XXX ±1	REV		