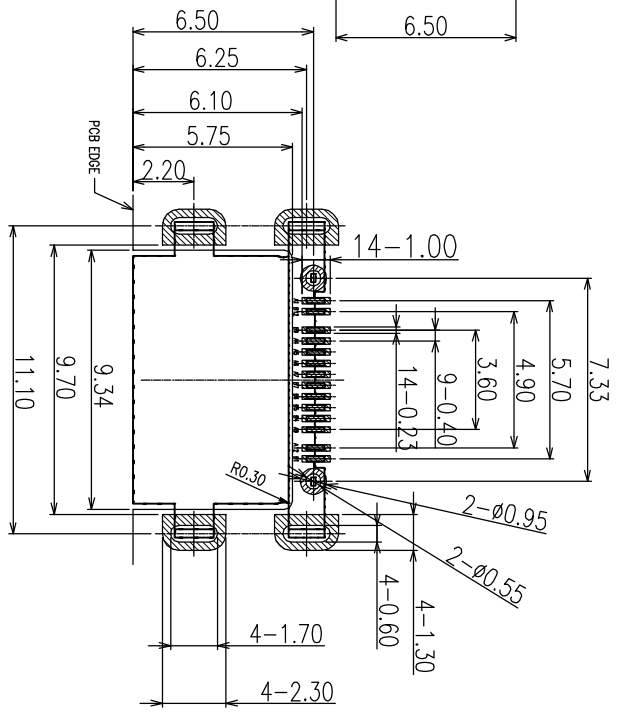
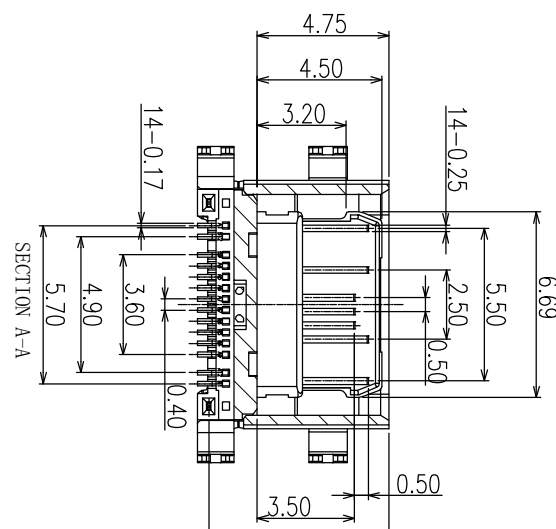
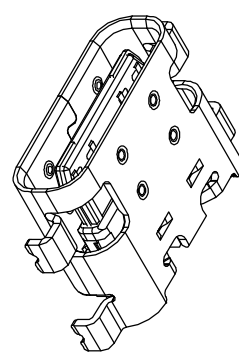
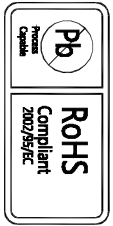


所有焊脚共面度
0.10



RECOMMENDED PCB LAYOUT (COMPONENT SIDE)
T=0.80mm, TOL:±0.05



REV	ECON #	DESCRIPTION	DRAWING	APPROVED	DATE
A		NEW RELEASE	DEYI		2012\06\28

NO.	DESCRIPTION	MATERIAL	REMARKS	QTY
1	FRONT SHELL	STAINLESS STEEL		1PCS
2	MID PLATE	COPPER ALLOY		1PCS
3	CONTACTS	COPPER ALLOY		1SET
4	HOUSING	HIGH TEMPERATURE PLASTIC		1PCS

CUSTOMER DRAWING

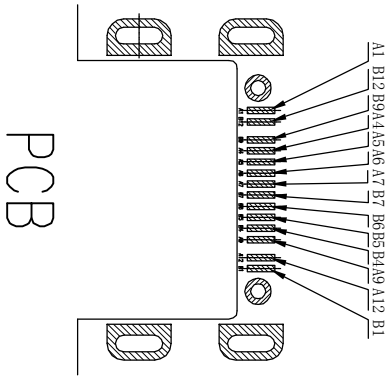
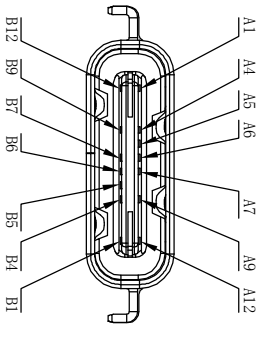
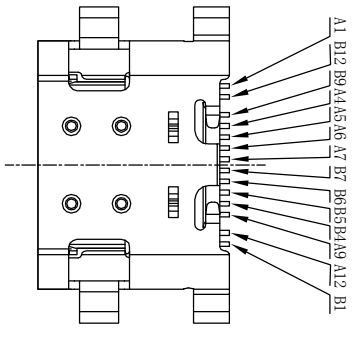
YTCONN
http://www.hnyconn.com

Dongguan YTCONN Electronics Technology Co., Ltd

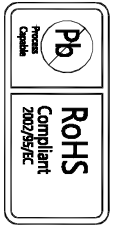
GENERAL TOLERANCE		DRAWING		TITLE:	
X	±0.20	DEYI		USB TYPE C 14 PIN 沉板1.55mm	
XX	±0.15	APPROVED		P/N:	UC03-14CB05-01
XXX	±0.10	DATE	2018. 03. 28	DRAWING NO.	C-UC03-01
ANGEL TOLERANCE		UNIT	mm	SCALE	1:1
X, ±3°		SIZE	A4	SHEET	1of2
XX, ±2°		REV			A
XXX, ±1°					

由 Autodesk 教育版产品制作

PIN ASSIGNMENT



NO	NAME	DESCRIPTION	NO	NAME	DESCRIPTION
A1	GND	GROUND RETURN	B12	GND	GROUND RETURN
A4	VBUS	BUS POWER	B9	VBUS	BUS POWER
A5	CC1	CONFIGURATION CHANNEL	B7	DN2	NEGATIVE HALF OF USB 2.0 DIFFERENTIAL PAIR -POSITION1
A6	DP1	POSITIVE HALF OF USB 2.0 DIFFERENTIAL PAIR -POSITION1	B6	DP2	POSITIVE HALF OF USB 2.0 DIFFERENTIAL PAIR -POSITION1
A7	DN1	NEGATIVE HALF OF USB 2.0 DIFFERENTIAL PAIR -POSITION1	B5	CC2	CONFIGURATION CHANNEL
A9	VBUS	BUS POWER	B4	VBUS	BUS POWER
A12	GND	GROUND RETURN	B1	GND	GROUND RETURN



REV	ECON #	DESCRIPTION	DRAWING	APPROVED	DATE
A		NEW RELEASE	DEYI		2012\06\28

NOTE:
 1.MATERIAL:
 1.1 INSULATOR: HIGH TEMPERATURE PLASTIC UL 94 V-0;
 1.2 CONTACT: COPPER ALLOY(T=0.12mm)
 1.3 SHELL: STAINLESS STEEL(T=0.30mm)
 2.ELECTRICAL CHARACTERISTICS:
 2.1 CONTACT RESISTANCE: 40mΩ Max FOR INITIAL, 10mΩ CHANGE AFTER TEST, MEASURE AT 20mV, 100mA.
 2.2 CONTACT CURRENT RATING: 3A FOR VBUS PIN, 1.25A FOR YCONN PIN.
 2.3 DIELECTRIC WITHSTANDING VOLTAGE: 100V AC R.M.S.
 2.4 INSULATION RESISTANCE 100MΩ Min
 2.5 OPERATING TEMPERATURE: -40°C ~ 85°C
 3.MECHANICAL CHARACTERISTICS:
 3.1 MATING FORCE: 5~20 N
 3.2 UNMATED FORCE: 8~20N AFTER TEST
 3.3 DURABILITY: 5000 CYCLES

PRODUCT NO.

UC03 - 14 C B 05 - 01

① ② ③ ④

① 产品系列:
UC03: USB TYPE C单排连接器

② 产品PIN数:
14: 14PIN

③ 材质:
C: LCP

④ 产品流水码:
01: SMT沉板1.55mm

CUSTOMER DRAWING		YTCONN http://www.hnyconn.com	
GENERAL TOLERANCE X X ±0.20 .XX ±0.15 XXX ±0.10		TITLE: USB TYPE C 14 PIN 沉板1.55mm	
ANGEL TOLERANCE X, ±3° XX ±2° XXX ±1°		DRAWING DEYI	
DATE 2018. 03. 28		P/N: UC03-14CB05-01	
DRAWING NO. C-UC03-01		DRAFTING NO. C-UC03-01	