

REV	ECN #	DESCRIPTION	DRAWING	APPROVED	DATE
A		NEW RELEASE	DEV1		2012/05/25

- NOTES :
- 1.0) RATING :
- VOLTAGE : 12 VDC (R.M.S.)
 - CURRENT : 1 AMPERE MAXIMUM PER CONTACT AT 30°C T-RISE
 - TEMPERATURE : -25°C TO +85°C
- 2.0) ELECTRICAL CHARACTERISTICS
- CONTACT RESISTANCE : INITIAL 50mΩ MAX. AFTER 100m
 - INSULATION RESISTANCE : 100 MΩ MIN.
 - DIELECTRIC WITHSTANDING VOLTAGE : 500 VAC AT SEA LEVEL
- 3.0) MECHANICAL :
- DURABILITY ,MINIMUM: MATED 5000 CYCLES WITHOUT DEGRADING ELECTRICAL
 - INITIAL:MATING FORCE: 300g~2000g UNMATING FORCE: 300g~2000g
 - AFTER LIFE TESTING:MATING FORCE: 300g~2000g,UNMATING FORCE: 300g~2000g

PRODUCT NO.

PJ27-06 A B 03-05

① ② ③ ④

① PRODUCT SERIES:

PJ27: PHONE JACK CONNECTOR

② PIN NO.:

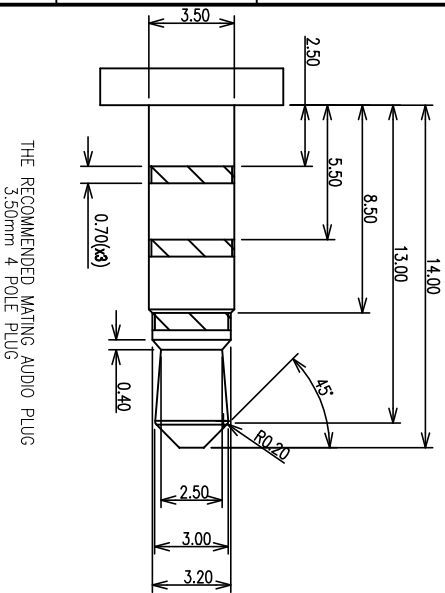
06: 6PIN

③ MATERIAL:

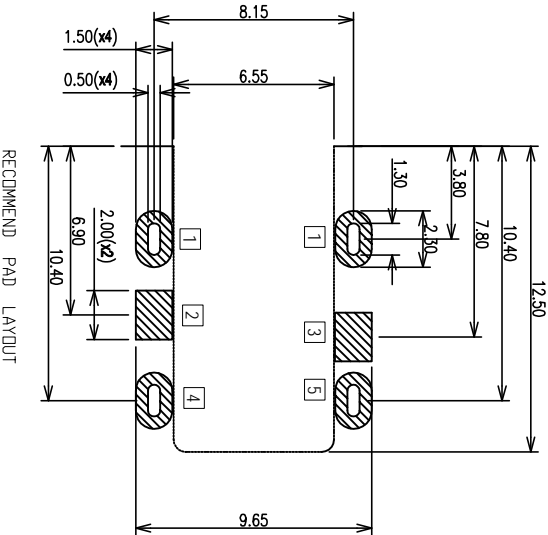
A: LCP

④ SERIES NO.:

05: 沉板1.0, 前插后插型



THE RECOMMENDED MATING AUDIO PLUG
3.50mm 4 POLE PLUG



CUSTOMER DRAWING

GENERAL TOLERANCE

X ±0.20

.XX ±0.15

.XXX ±0.10

ANGEL TOLERANCE

X ±5°

.XX ±2°

.XXX ±1°

YTCOON

Dongguan YTCOON
Electronics Technology Co., Ltd

DRAWING

DEV1

TITLE:

AUDIO JACK 3.5mm 斜头
沉板1.0 (前插后插型)

APPROVED

P/N:

PJ27-06AB03-05

DATE

2014. 11. 27

DRAWING NO.

C-PJ27-05

UNIT

mm

SCALE

1:1

SIZE

A4

SHEET

1 of 1

REV

A