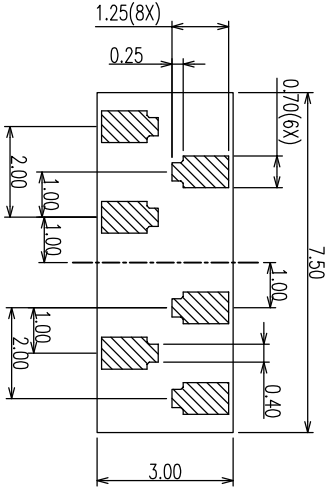
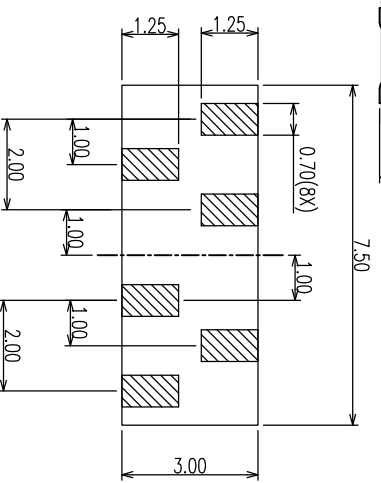
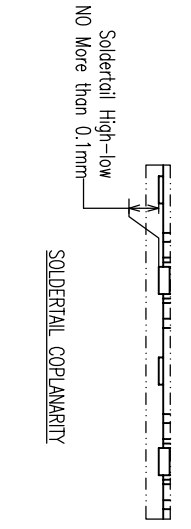
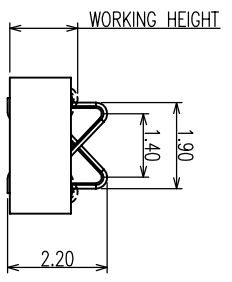
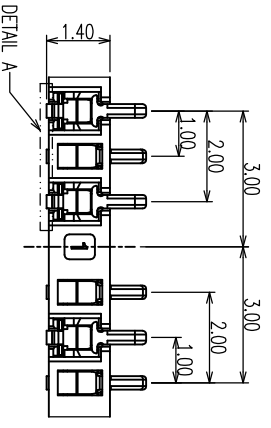
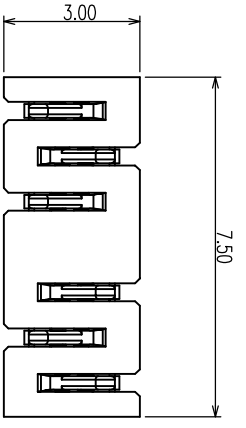


REV	ECON #	DESCRIPTION	DRAWING	APPROVED	DATE
A		NEW RELEASE	DEY1		2012/8/24



NOTES:  
 1. MATERIAL:  
 1.1 Housing: High Temperature Thermoplastic  
 UL94V-0; Color Black.  
 1.2 Terminal: Copper Alloy.

2. SPECIALITY:  
 2.1 Rated current: 0.5A  
 2.2 Rated voltage: 30V

2.3 Contact Resistance: 50mΩ MAX  
 2.4 Insulation Resistance: 100MΩ MIN 100V DC  
 2.5 Dielectric withstanding voltage: 100V AC.  
 2.6 Solder ability: 235±5?±0.5s.  
 2.7 Durability: 5000 Cycles Min.  
 2.8 Operating condition: Temperature: -30?+80??  
 Humidity: 80% R.H MAX

PRODUCT NO.

BT41-06 C B 03-01

① ② ③ ④

PRODUCT SERIES:

① BT41: CIRCUITS COMPRESSION CONNECTOR

② PIN NO.:

06: 6PIN

③ MATERIAL:

C: LCP

④ SERIES NO.:

01: 6pin

<b>CUSTOMER DRAWING</b>		<b>YTCONN</b> <small>http://www.hytconn.com</small>		<b>Dongguan YTCONN Electronics Technology Co., Ltd.</b>	
GENERAL TOLERANCE	X ±0.20 .XX ±0.15 .XXX ±0.10	DRAWING	DEY1	TITLE:	6 CIRCUITS COMPRESSION CONNECTOR
ANGEL TOLERANCE	X ±3° .XX ±2° .XXX ±1°	APPROVED		P/N:	BT41-06C03-01
		DATE	2016.03.22	DRAWING NO.	C-BT41-01
		UNIT	mm	SCALE	1:1
		SIZE	A4	SHEET	1 of 1
		REV	A		

